

4

3

2

1

D

D

C

C

B

B

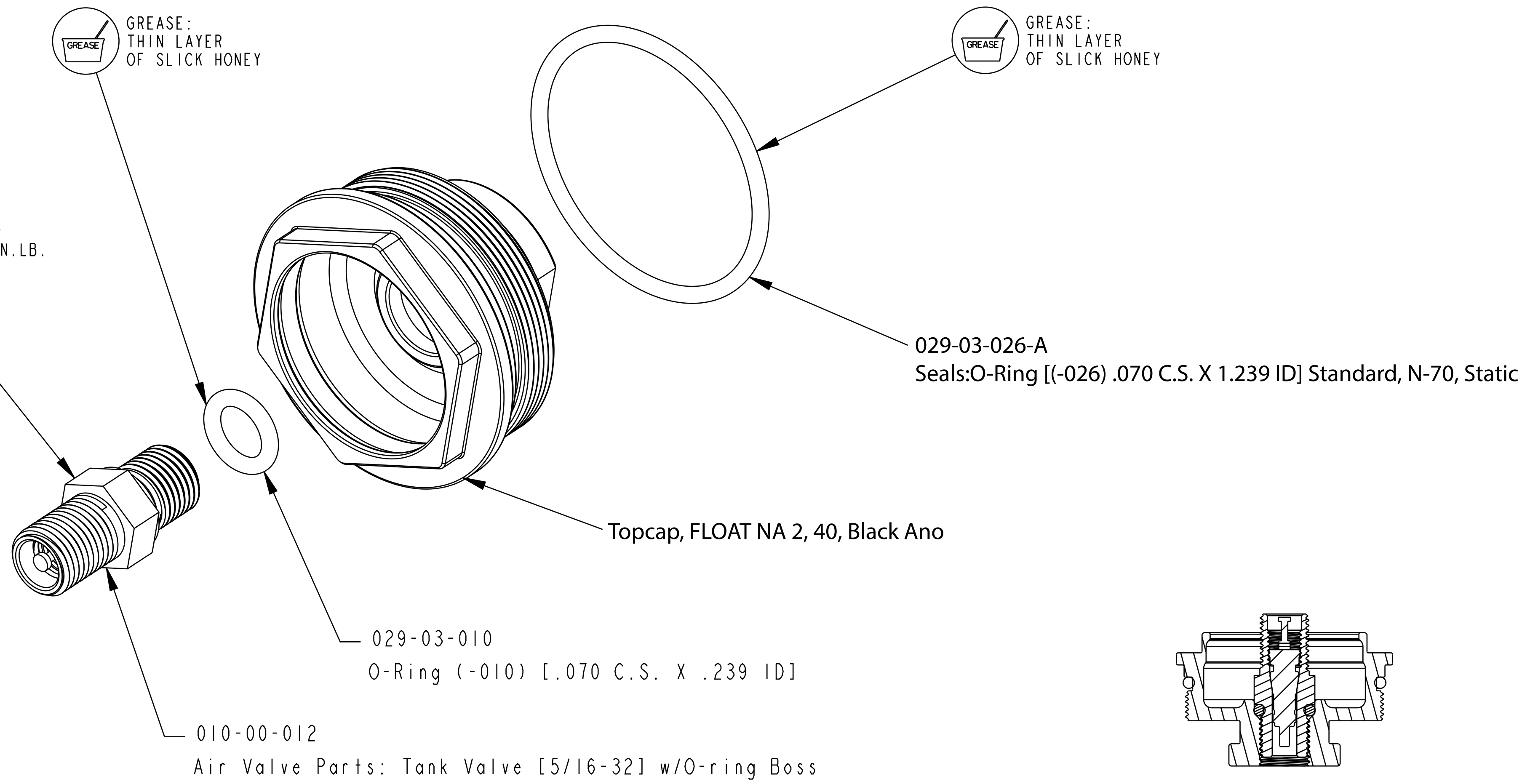
A

A

 GREASE:  
THIN LAYER  
OF SLICK HONEY

 GREASE:  
THIN LAYER  
OF SLICK HONEY

 TORQUE:  
40±5 IN.LB.

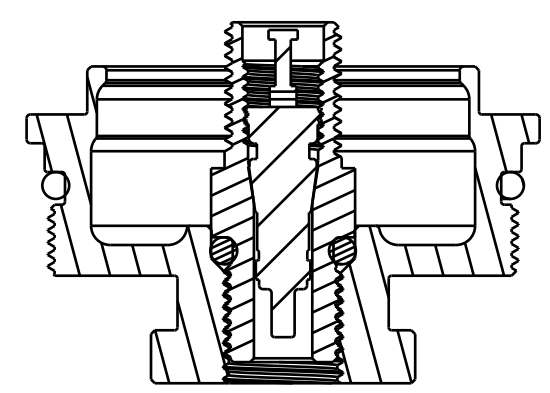


029-03-026-A  
Seals:O-Ring [(-026) .070 C.S. X 1.239 ID] Standard, N-70, Static

Topcap, FLOAT NA 2, 40, Black Ano


029-03-010  
O-Ring (-010) [.070 C.S. X .239 ID]

010-00-012  
Air Valve Parts: Tank Valve [5/16-32] w/O-ring Boss



SECTION A-A

- PROPRIETARY -  
THIS DOCUMENT CONTAINS CONFIDENTIAL, PROPRIETARY INFORMATION  
THAT IS FOX PROPERTY. DO NOT DISCLOSE TO OR DUPLICATE  
FOR OTHERS EXCEPT AS AUTHORIZED BY FOX.

		<b>FOX Factory, Inc.</b>	Ph 831-768-1100
		130 Hangar Way, Watsonville, CA 95076 USA	Fax 831-768-9312
TITLE			
Topcap Assy, FLOAT NA 2, 40, Black			
SIZE	DWG. NO.	820-05-346-KIT	
C			
PLOT SCALE 2.00:1		SHEET 1 OF 1	

4

3

2

1