

4

3

2

1

D

D

C

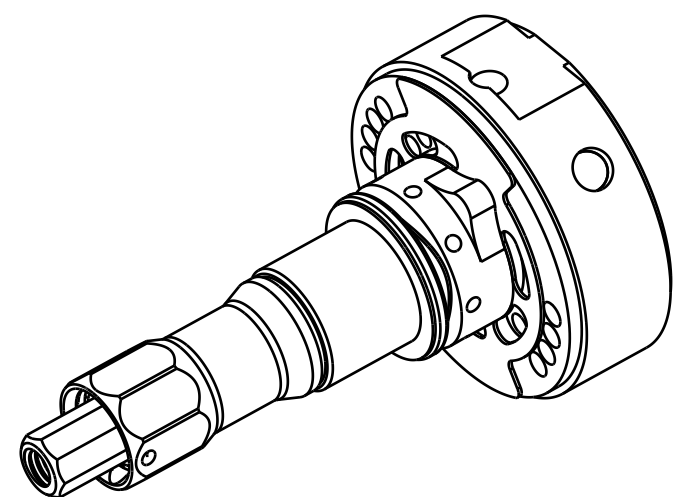
C

B

B

A

A



BUTTERFLY VALVES:
 210-24-370: 2018 FIT4 Remote, Butterfly Valve, Large Tabs, U-Cup, Push-Unlock
 210-24-371: 2018 FIT4 Remote, Butterfly Valve, Larger Tabs, U-Cup, Push-Lock

038-01-071
 Retaining Ring: Wire [0.340 OD X 0.024" Wire] 17-7 SST

010-01-012
 Ball [Ø.1094]

Shaft, Compression Selector, 2018 FIT4 Remote

GREASE:
 THIN LAYER
 OF SLICK HONEY

210-22-920
 Compression Adjust Coupler, F-S, FIT4

222-01-307
 Piston, Compression, FIT4, Dished, Aluminum

210-22-919
 Compression Adjust Needle, F-S, FIT4

210-22-921
 Lockout Selector, F-S, FIT4

039-00-241
 Spring: Wave [.322 ID x .420 OD, 3 Waves] SS

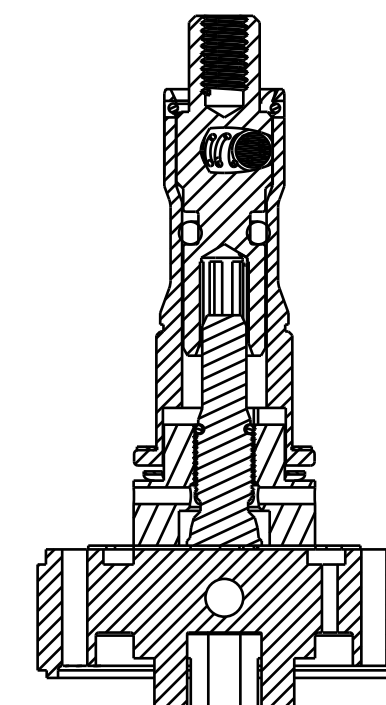
210-24-316
 Bearing, Thrust, Teflon, FIT4, Selector Shaft, 2018

029-08-068
 Seals: O-Ring [3.0MM ID x 1.5MM CS] Metric, N-70, Static

010-01-012
 Ball [Ø.1094]

038-01-073
 Retaining Ring: Wire [.280 OD X .024 CS] SS

039-00-243
 Spring: Detent [.138 TLG, .087 OD, 48 lb/in]



- PROPRIETARY -
 THIS DOCUMENT CONTAINS CONFIDENTIAL, PROPRIETARY INFORMATION
 THAT IS FOX PROPERTY. DO NOT DISCLOSE TO OR DUPLICATE
 FOR OTHERS EXCEPT AS AUTHORIZED BY FOX.

FOX FOX Factory, Inc. Ph 831-768-1100
 130 Hangar Way, Watsonville, CA 95076 USA Fax 831-768-9312

TITLE
**2018 FIT4 Lightweight F-S
 Topcap Parts Remote U-Cup**

SIZE DWG. NO.

C

PLOT SCALE 2.00:1

SHEET 1 OF 1

4

3

2

ProE ASSEM