

4

3

2

1

D

D

C

C

B

B

A

A

210-24-034
Compression Piston Clamp, FIT4, Lightweight

045-00-150
Valve: Metric [15mm OD X 8mm ID X .15mm]

039-00-205
Spring, Comp. Check

040-12-060
Valve: [.600 OD X 0.377 ID X 0.012 TH]

038-00-142
Retaining Ring: Snap, Smalley, Internal, VH-62 , Ø.610 Bore



IMPORTANT:
THIN VALVE FACES
COMPRESSION CLAMP

IMPORTANT:
SMALL DIAMETER OF SPRING
FACES COMPRESSION CLAMP

IMPORTANT:
THICKER VALVE FACES
RETAINING RING

OIL:
THIN LAYER OF FOX MX5 DAMPER OIL ON OD AND ID

IMPORTANT:
ENSURE RETAINING RING
FULLY SEATED FULL 360 DEG

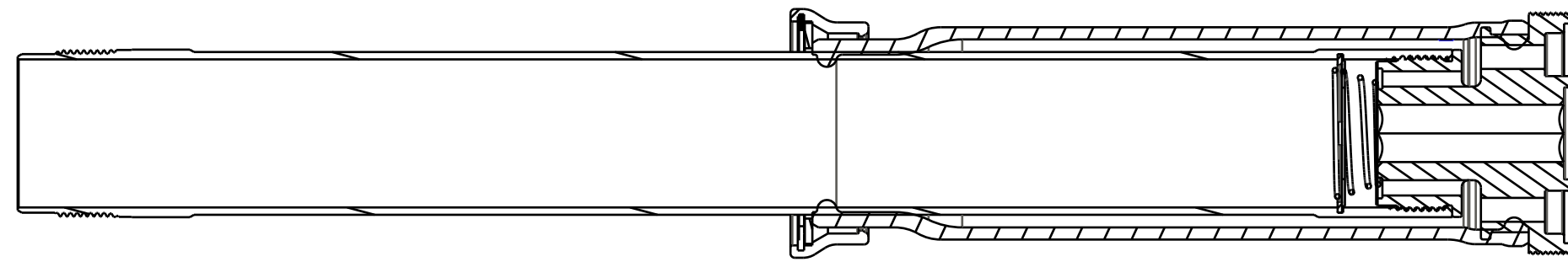
207-11-134
Pressure Tube, 15.5 Bore, 2020 FIT4, 32, 34 Chassis

210-22-303
Bladder, 010 RL_RLC

210-22-420
Lower Bladder Ring, Snap Ring, 011 RC2

241-01-029
Bladder retainer, 011 RC2

038-00-065
Retaining Ring: Snap, Smalley, Internal, Custom, Ø.923 BORE



- PROPRIETARY -
THIS DOCUMENT CONTAINS CONFIDENTIAL, PROPRIETARY INFORMATION
THAT IS FOX PROPERTY. DO NOT DISCLOSE TO OR DUPLICATE
FOR OTHERS EXCEPT AS AUTHORIZED BY FOX.

FOX **FOX Factory, Inc.**
130 Hangar Way, Watsonville, CA 95076 USA
Ph 831-768-1100
Fax 831-768-9312

TITLE
**2020 32 and 34 Non-SC
FIT4 8mm, Bladder Assy**

SIZE DWG. NO.
C 820-03-608-KIT

PLOT SCALE | .50 : 1 | SHEET | OF |

4

3

2

1

ProE ASSEM