

REFERENCE ONLY
(FOR INSTALLATION
INTO FORK)

TORQUE:
110 ± 5
IN-LBS

210-03-120
Knob, Rebound, 2011 36_40

LOCTITE:
BLUE 242
ONE DROP

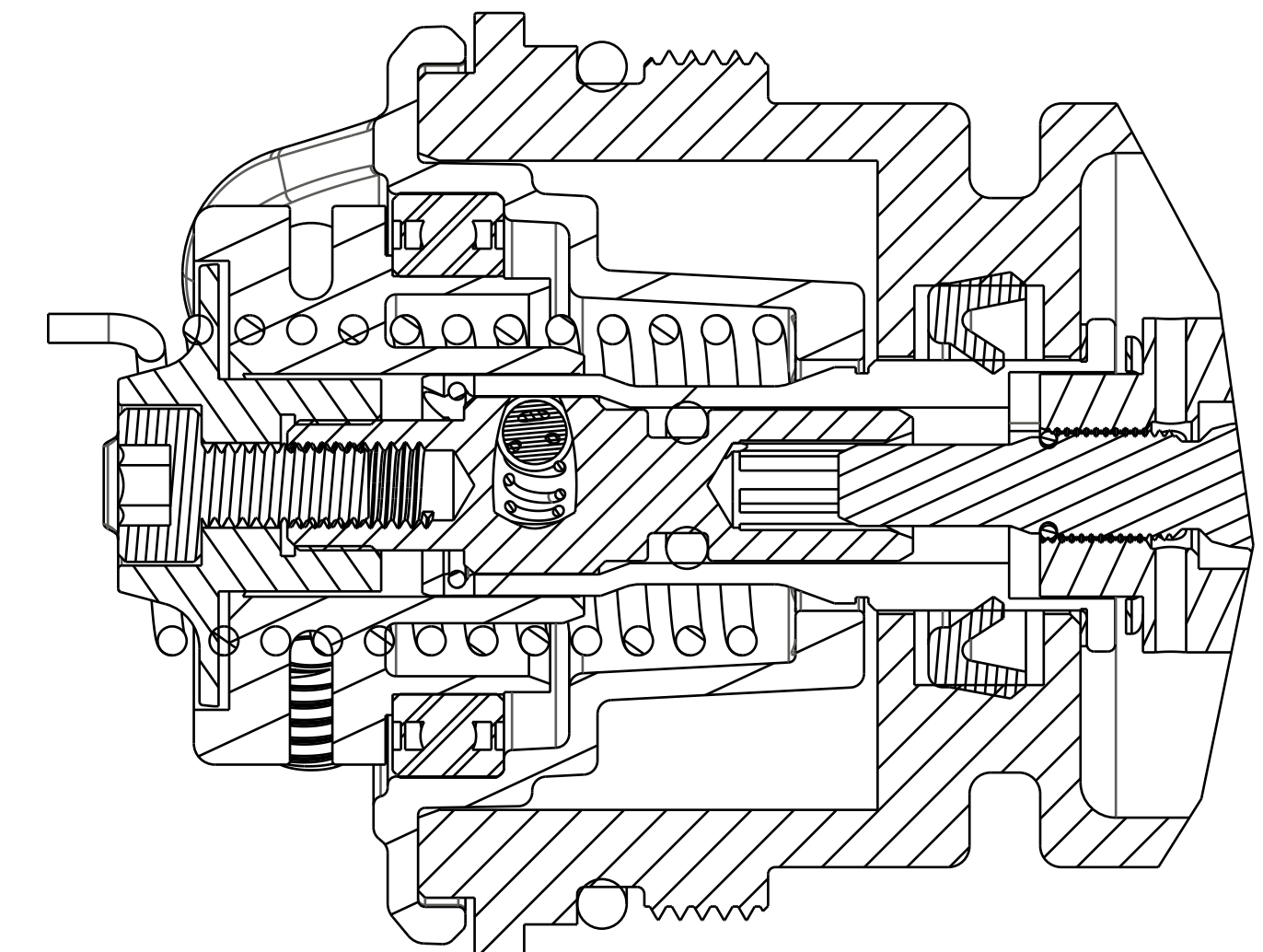
018-01-004-A
Fastener, Standard: Screw [#8-32 X 0.250 TLG]

TORQUE:
5.0 ± 1.0 IN. LB.

241-00-011
Fastener, Custom: Nut, Bottom, R

241-01-011
Fastener, Custom: Crush Washer, Plastic, 13mm

820-05-335-KIT
2016 FIT4 Bottom Stud Interface Parts 34



DETAIL A
SCALE 4:1

820-05-456-KIT
2018 FIT4 TopCap Interface Parts F-S Remote, U-Cup, Push-Lock

234-44-075
Housing, 2018, FIT Remote, Push-Lock

TORQUE:
220 ± 5 IN. LB.

REFERENCE ONLY
(FOR INSTALLATION
INTO FORK)

GREASE:
THIN LAYER OF
BLUE MARINE GREASE

039-00-422
Spring: Torsion, Push-Lock 2018, FIT4 Remote,
.0022 lb-in/deg, LH Wound, RSH

003-00-113
Bearing, Roller, 14mm OD x 7mm ID x 3.5mm TLG

019-01-088
Set Screw [M4x4mm], SST, Cup Point, Patchlock

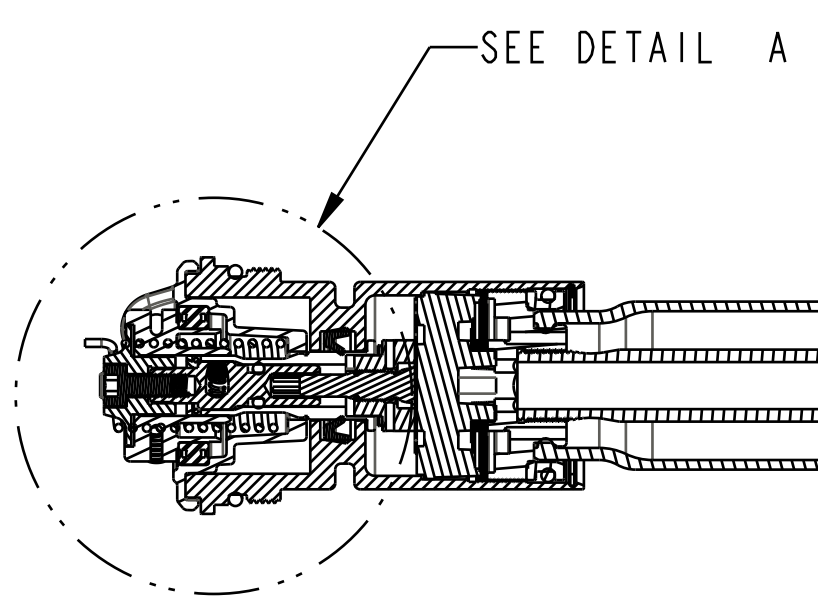
210-24-235
Cable Pulley, Remote, LSC, FIT4, Bearing, Thru Broached

210-22-946
Remote Compression Adjust Knob, F-S, FIT4

019-01-095
Fastener, Standard (Metric): Screw [M3 X 6mm] SHCS, Patchlock

TORQUE:
11 ± 3 IN. LB.

IMPORTANT:
DO NOT ALLOW PULLEY
TO ROTATE WHILE TORQUING



SEE DETAIL A

SECTION A-A

FOX Factory, Inc.
130 Hangar Way, Watsonville, CA 95076 USA
Ph 831-768-1100
Fax 831-768-9312

TITLE
2020 34 E-Bike+, 110-160, FIT4 F-S, Remote,
2 Pos Adj, Push-Lock Cart Assy Complete

SIZE DWG. NO. 820-18-231-KIT
PLOT SCALE 1.00:1 SHEET 1 OF 1

PROPRIETARY
THIS DOCUMENT CONTAINS CONFIDENTIAL, PROPRIETARY INFORMATION
THAT IS FOR PROPERTY USE ONLY. DO NOT DISCLOSE TO OR DUPLICATE
FOR OTHERS EXCEPT AS AUTHORIZED BY FOX.