

BASE STUD INTERFACE PARTS:  
820-05-374-KIT: 2017 Grip Bottom Stud Interface Parts  
820-05-326-KIT: 2017 34 29in Grip Bottom Stud Interface Parts

241-01-002-C  
Fastener, Custom: Crush Washer, Plastic, R\_RL\_RLC

241-00-005  
Fastener, Custom: Nut, Bottom, R\_RL\_RLC

REBOUND KNOBS:  
210-22-726: Knob: Rebound Adjust, Extruded, Red, Grip  
210-24-032: Knob, Rebound Adjust, Grip Extruded, Red, 29

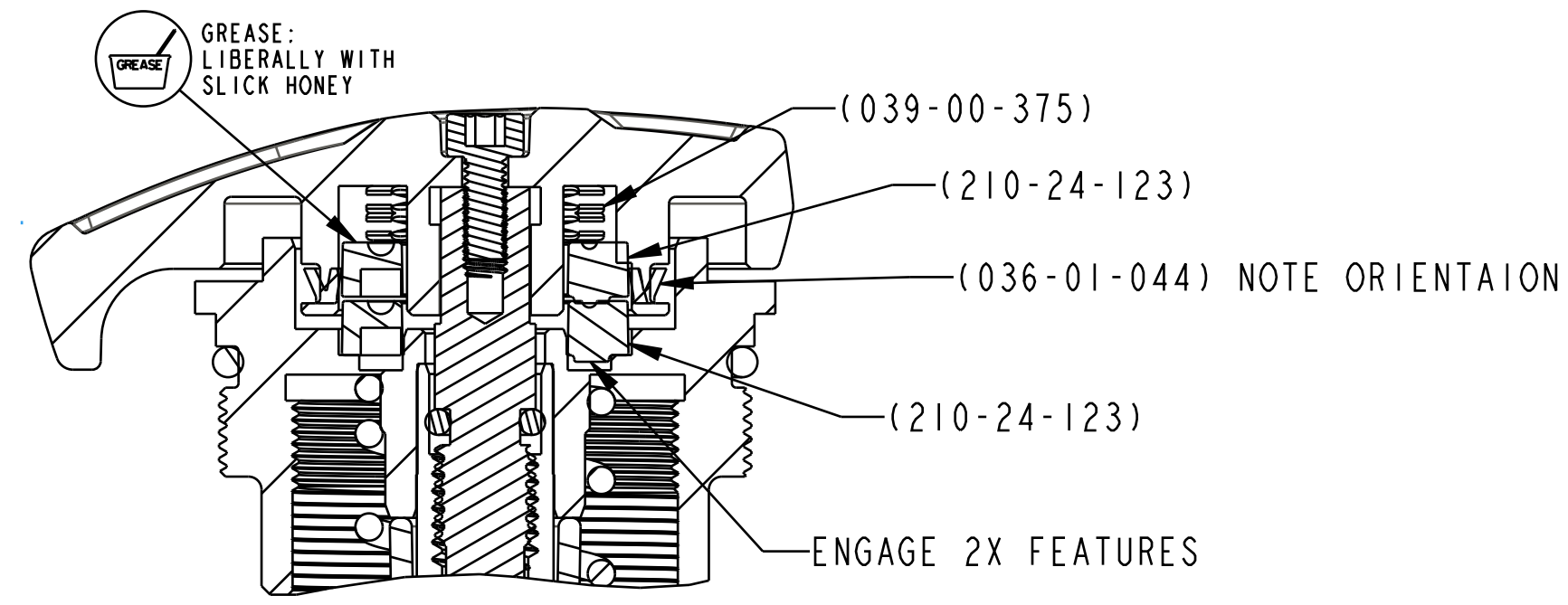
TORQUE:  
5.0±0.5 IN.LB.

LOCTITE:  
BLUE 242 OR 243  
ONE DROP

TORQUE:  
50±5  
(IN-LB)

018-01-004-A  
Fastener, Standard: Screw [#8-32 X 0.250 TLG]  
303 SS, Socket Set Half Dog Point

REFERENCE ONLY  
(FOR INSTALLATION  
INTO FORK)



SECTION A-A  
SCALE 2.500

PROPRIETARY  
THIS DOCUMENT CONTAINS CONFIDENTIAL, PROPRIETARY INFORMATION  
THAT IS FOX PROPERTY. DO NOT DISCLOSE TO OR DUPLICATE  
FOR OTHERS EXCEPT AS AUTHORIZED BY FOX.

**FOX Factory, Inc.** Ph 831-768-1100  
130 Hangar Way, Watsonville, CA 95076 USA Fax 831-768-9312

TITLE  
**2019 32 (Non-SC) Grip Cartridge Assemblies Complete**

SIZE DWG. NO.  
**C**

PLOT SCALE 0.75:1 | SHEET 1 OF 2