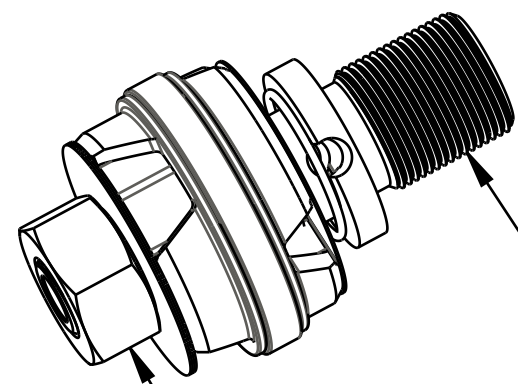


4

3

2

1



LOCTITE:
RED 263, 2-3 DROPS
360° COVERAGE

TORQUE:
40±5 in-lb

DETAIL Z
SCALE 2:1

820-03-525-KIT
2019 Grip, All, Bearing Housing Assy

APPLY BLUE MARINE GREASE
TO THREADS ON ALUMINUM
REBOUND NEEDLES ONLY

210-22-958
Damping Adj Part: Base Stud, M8, Grip

029-08-022
Seals: O-Ring [8.0MM ID x 1.0MM CS]
Metric, N-70, Static

TORQUE:
40±5 in-lb

LOCTITE:
RED 263, 2-3 DROPS
360° COVERAGE

SHAFTS:
229-10-271: Shaft, 10mm Damper, Hard Ano, Grip, 32 27.5
229-10-272: Shaft, 10mm Damper, Hard Ano, Grip, 32 29 All

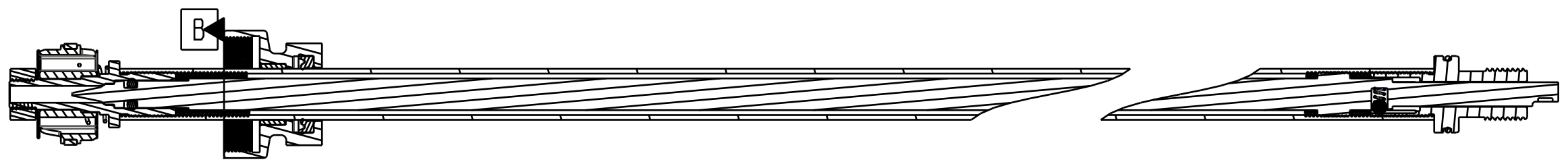
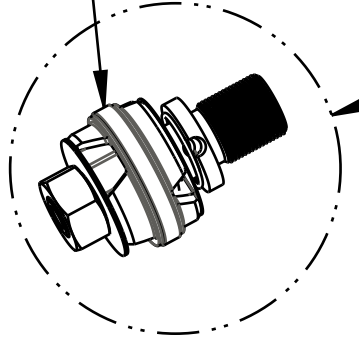
REBOUND PISTON ASSEMBLIES:
820-03-458-KIT: 2017 Grip Rebound Piston Assy, Short Travel
820-03-330-KIT: 2017 Grip Rebound Piston Assy

010-01-012
Ball [Ø.1094]

039-00-243
Spring: Detent [.138 TLG, .087 OD, 48 lb/in]

REBOUND NEEDLES:
210-03-231: Damping Adj Part: Needle, Rbd, Injection Molded, 32 27.5
210-03-232: Damping Adj Part: Needle, Rbd, Injection Molded, 32 29 All

SEE DETAIL Z



SECTION A-A

029-03-005
O-Ring (-005) [.070 C.S. X 0.101 ID]

FOX **FOX Factory, Inc.** Ph 831-768-1100
130 Hangar Way, Watsonville, CA 95076 USA Fax 831-768-9312

**2019 32 Grip
Damper Shaft Assemblies**

SIZE DWG. NO.
C

PLOT SCALE 1:1

SHEET 1 OF 1

PROPRIETARY
THIS DOCUMENT CONTAINS CONFIDENTIAL, PROPRIETARY INFORMATION
THAT IS FOX PROPERTY. DO NOT DISCLOSE TO OR DUPLICATE
FOR OTHERS EXCEPT AS AUTHORIZED BY FOX.

4

3

2

ProE ASSEM