

4

3

2

1

D

D

C

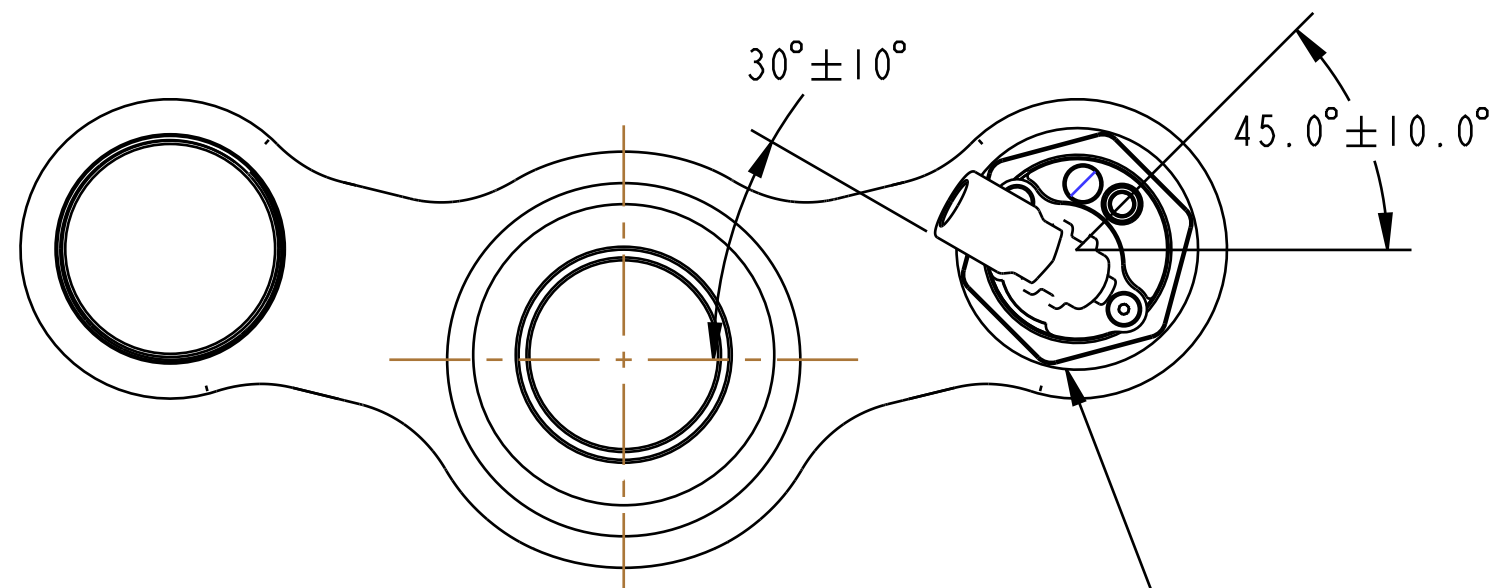
C

B

B

A

A



019-01-048  
Screw [M2.5 X 6mm] Socket Head Cap, Stainless

TORQUE:  
5.0 ± 1.0 IN-LBS

TORQUE:  
50 ± 5 IN LBS - REFERENCE ONLY,  
FOR INSTALLATION INTO FORK

820-05-506-KIT  
2019 34 SC Bottom Stud Interface Parts, 29in Fork

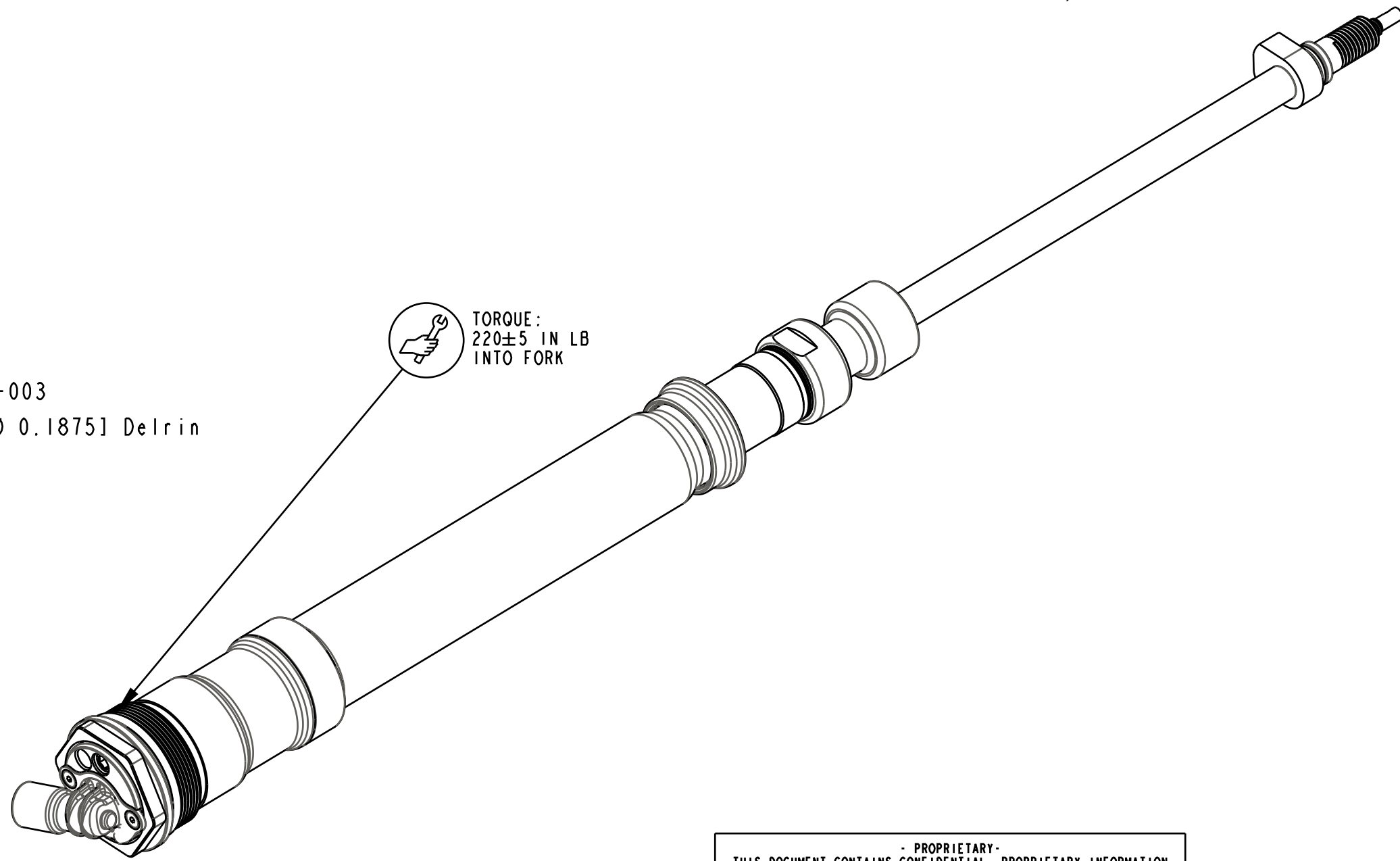
210-24-367  
Knob: Rebound Adj, Extruded,  
2019 FIT4 Lightweight, 34, 29in

241-00-005  
Fastener, Custom: Nut, Bottom, R\_RL\_RLC

241-01-002-C  
Fastener, Custom: Crush Washer, Plastic, R\_RL\_RLC

TORQUE:  
220 ± 5 IN LB  
INTO FORK

010-01-003  
Ball [Ø 0.1875] Delrin



- PROPRIETARY -  
THIS DOCUMENT CONTAINS CONFIDENTIAL, PROPRIETARY INFORMATION  
THAT IS FOX PROPERTY. DO NOT DISCLOSE TO OR DUPLICATE  
FOR OTHERS EXCEPT AS AUTHORIZED BY FOX.

**FOX** **FOX Factory, Inc.** Ph 831-768-1100  
130 Hangar Way, Watsonville, CA 95076 USA Fax 831-768-9312

TITLE  
2020 LIVE Valve Cartridge Complete 34mm SC  
(AM: Scott Spark/Spark RC)

SIZE DWG. NO.  
**C**

PLOT SCALE NONE SHEET 1 OF 1

4

3

2

1

ProE ASSEM