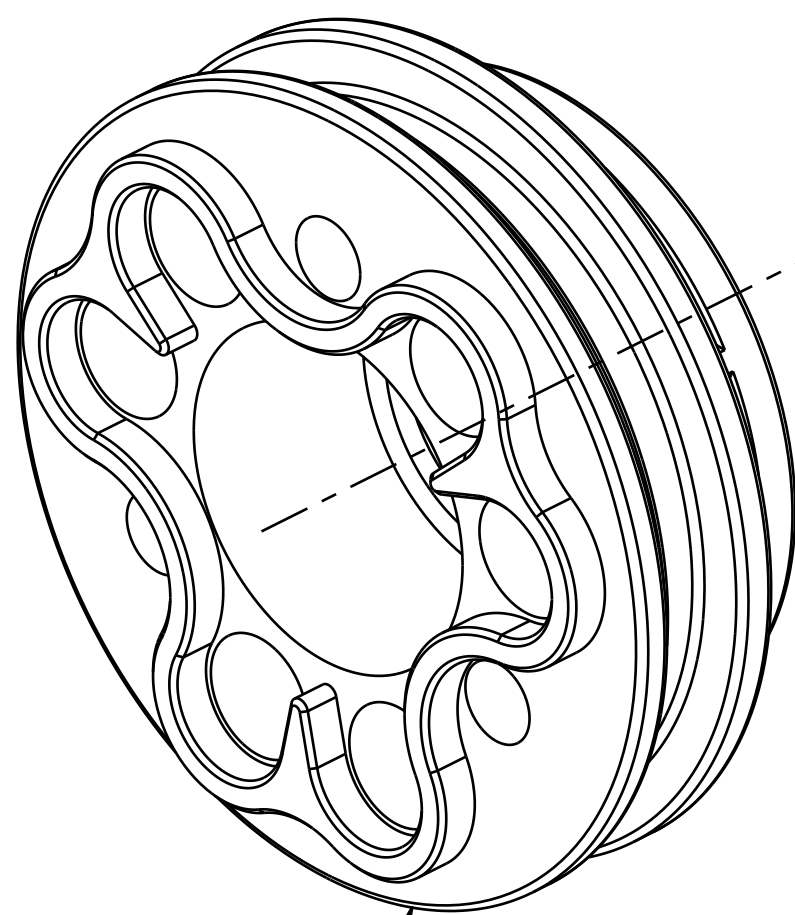
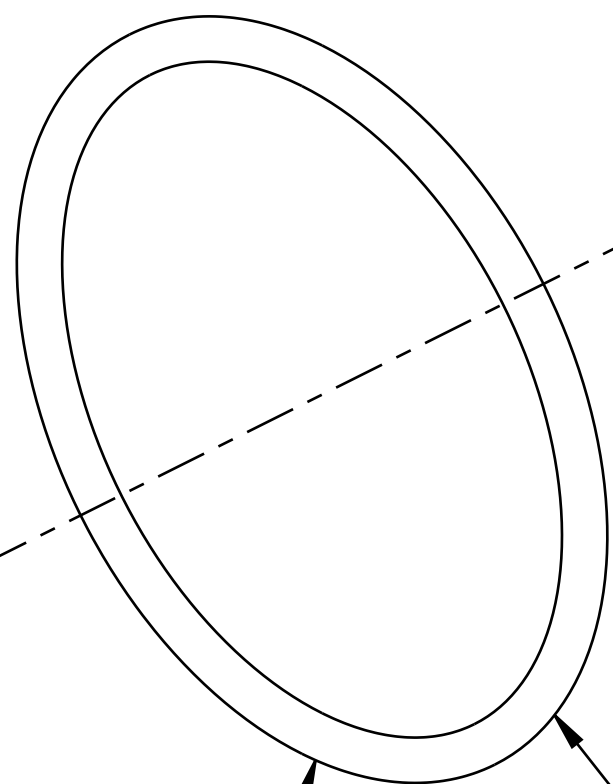


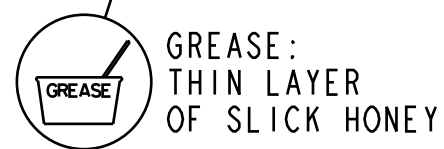
SECTION A-A



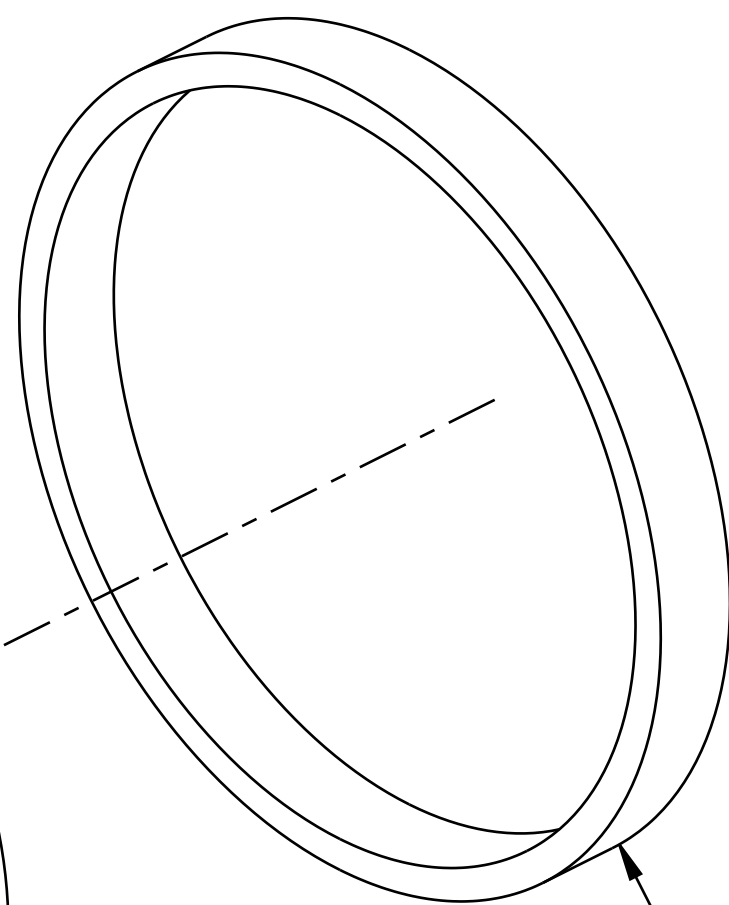
Piston, Lockout, 2020 SuperStrut



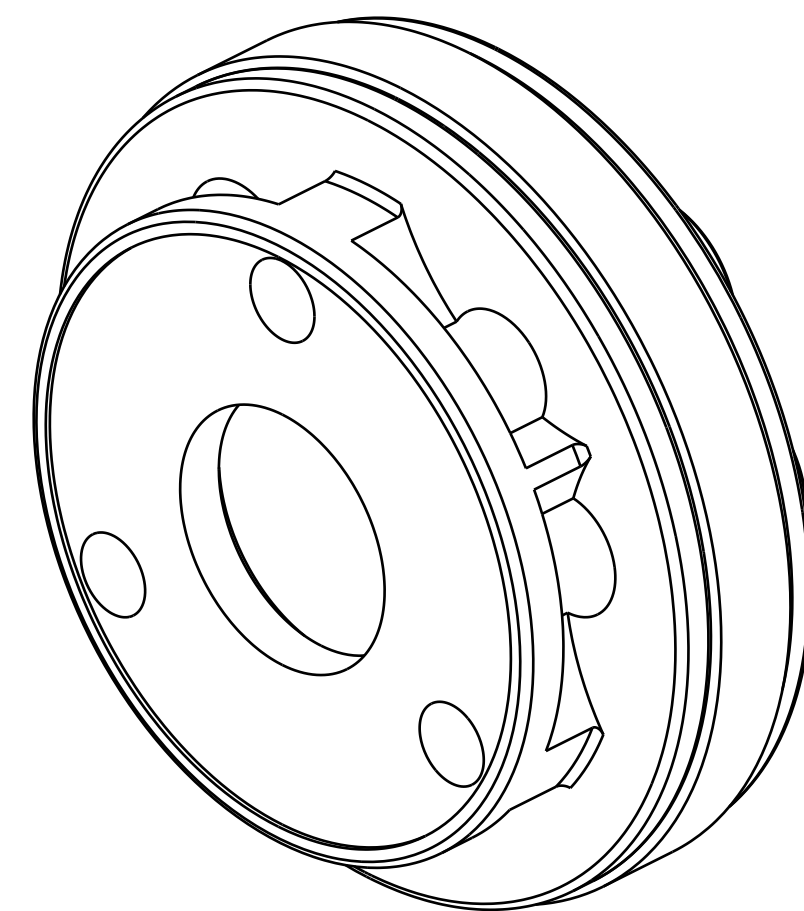
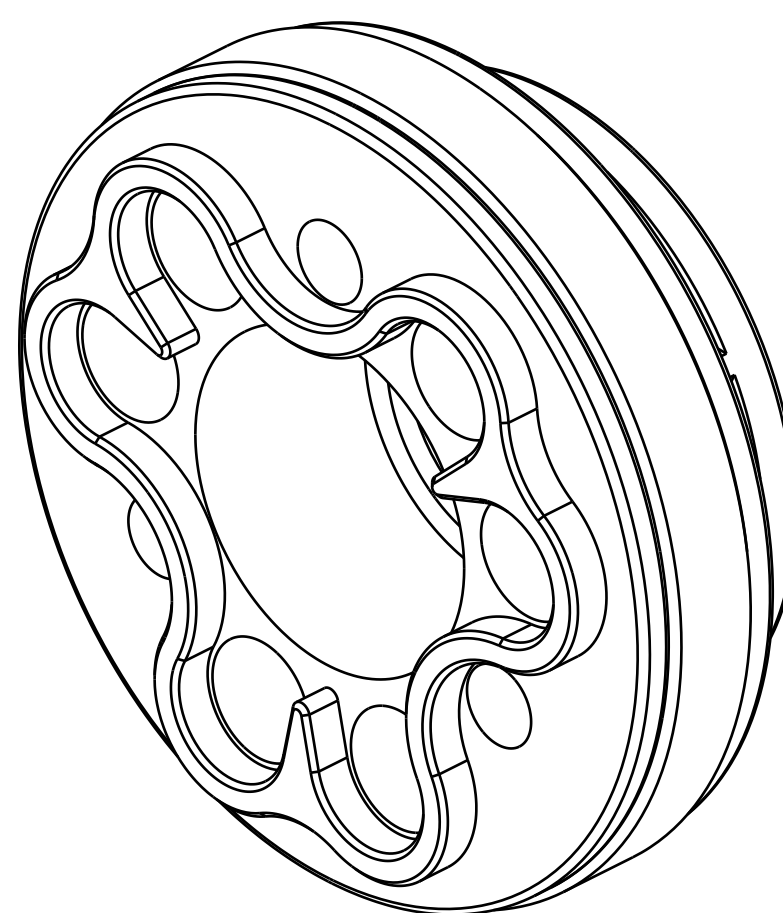
Seals: O-Ring [16mm ID x 1.0mm CSI Metric, N-70, Static]



GREASE:
THIN LAYER
OF SLICK HONEY



Bearing: Glide Ring, .795 Bore, [1.787 OD X .085 W X .031 TH]



FOX FOX Factory, Inc. Ph 831-768-1100
130 Hangar Way, Watsonville, CA 95076 USA Fax 831-768-9312

TITLE Piston Assy, Lockout,
2020 SuperStrut

SIZE DWG. NO. **C** 805-02-308-KIT

PLOT SCALE 6:1 SHEET 1 OF 1

- PROPRIETARY -
THIS DOCUMENT CONTAINS CONFIDENTIAL, PROPRIETARY INFORMATION
THAT IS FOX PROPERTY. DO NOT DISCLOSE TO OR DUPLICATE
FOR OTHERS EXCEPT AS AUTHORIZED BY FOX.