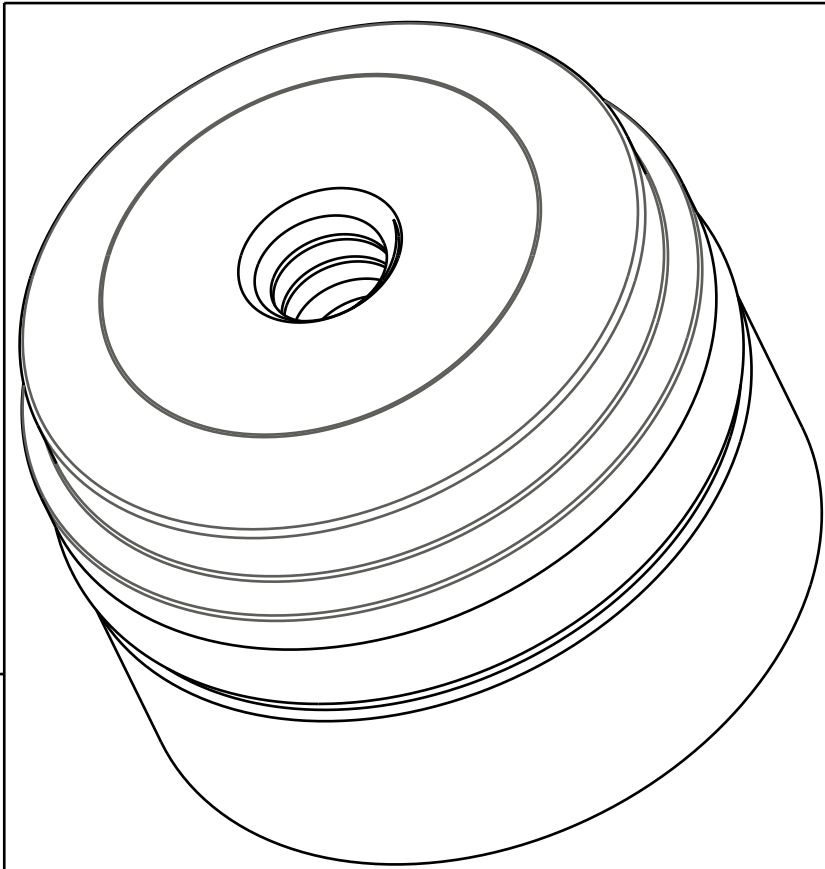


4

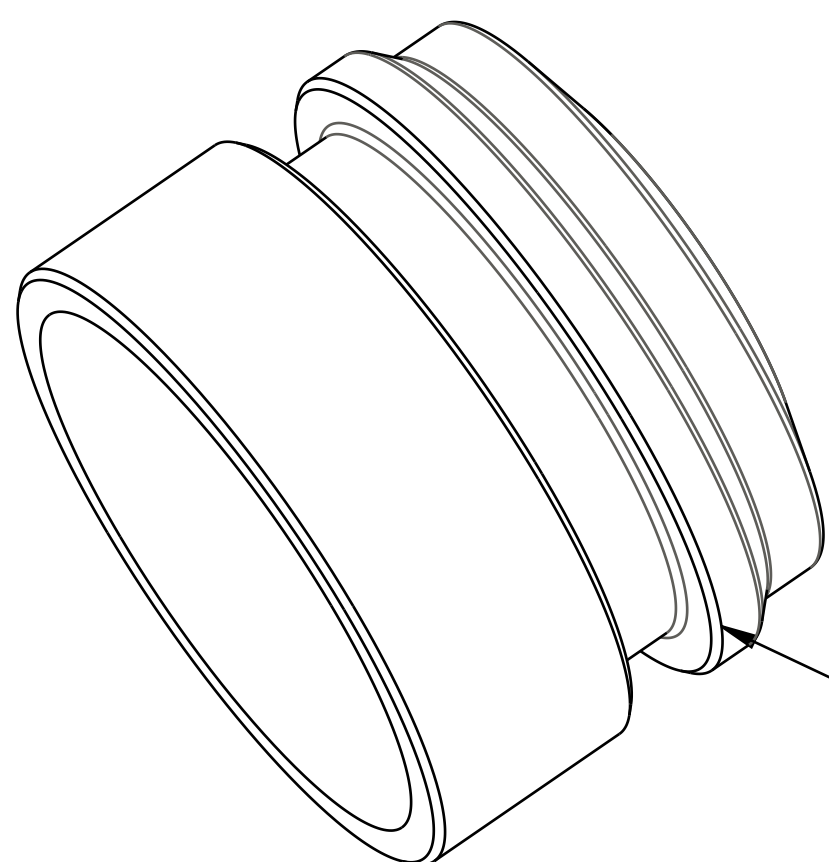
3

2

1



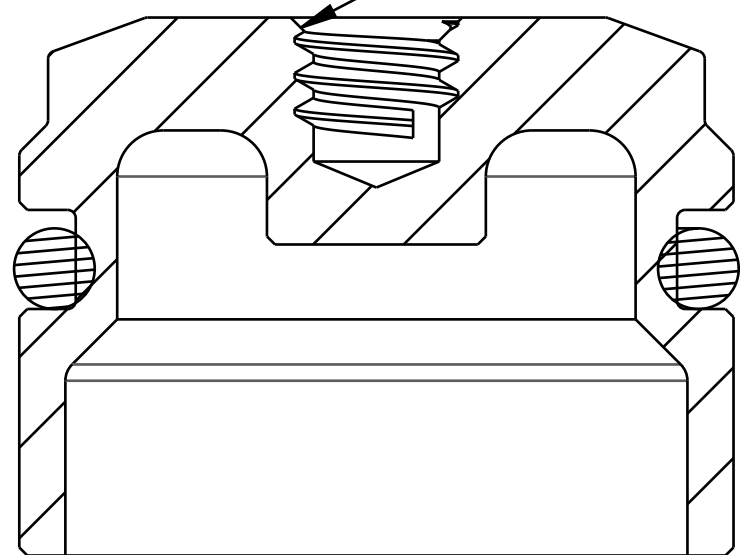
GREASE:  
THIN LAYER  
SLICK HONEY



029-03-014  
O-Ring (-014) [1.070 C.S. X .489 ID]

Rezi Endcap: 9mm thru shaft [1.620 OD, .272 Tall]

REFERENCE: Fits 398-00-749, Service tooling: Trek Thru Shaft IFP removal tool



SECTION A-A

- PROPRIETARY -  
THIS DOCUMENT CONTAINS CONFIDENTIAL, PROPRIETARY INFORMATION  
THAT IS FOX PROPERTY. DO NOT DISCLOSE TO OR DUPLICATE  
FOR OTHERS EXCEPT AS AUTHORIZED BY FOX.

**FOX** **FOX Factory, Inc.** Ph 831-768-1100  
130 Hangar Way, Watsonville, CA 95076 USA Fax 831-768-9312

TITLE  
Rezi End Cap Assy:  
9mm Thru shaft

SIZE DWG. NO. **C** 813-00-275-KIT

PLOT SCALE 6:1 SHEET 1 OF 1

4

3

2

1