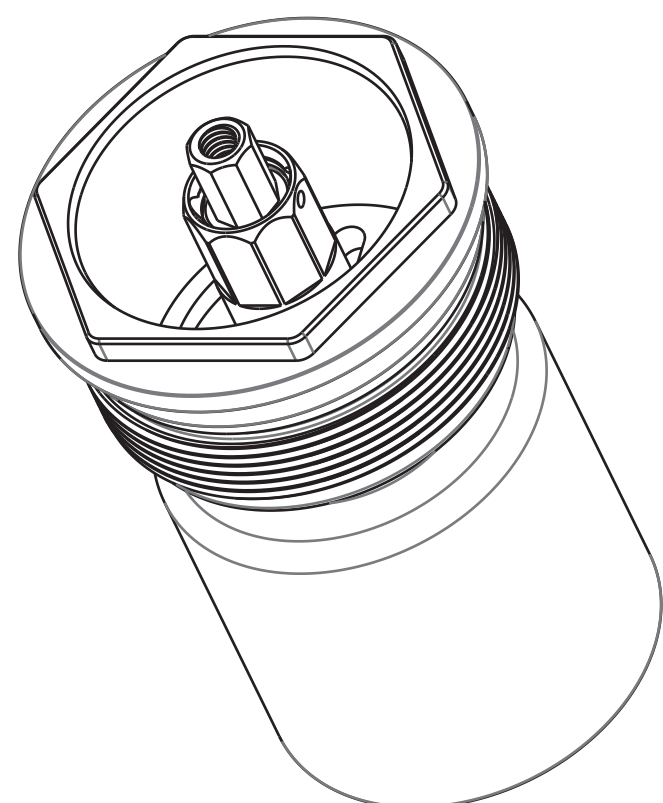


4

3

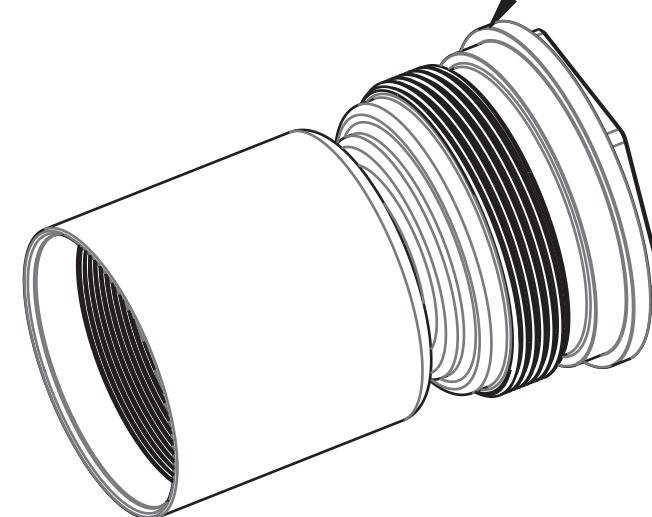
2

1



820-03-258-KIT
2017 FIT4 Lightweight Top Cap Parts

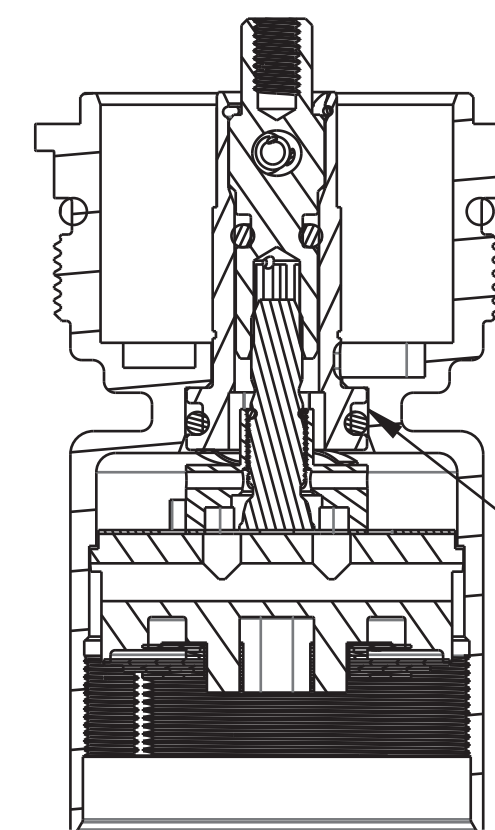
TOPCAP BODY



TOPCAP O-RING



COMPRESSION VALVING ASSEMBLIES:
820-03-613-KIT: 2020 FIT4 Compression Valving Assy, 8mm Shaft
820-03-624-KIT: 2020 FIT4 Compression Valving Assy, CL tune, 8mm Shaft



GREASE:
APPLY SLICK HONEY TO INSIDE
OF TOPCAP BORE BEFORE ASSEMBLY

FOX FOX Factory, Inc. Ph 831-768-1100
130 Hangar Way, Watsonville, CA 95076 USA Fax 831-768-9312

TITLE
2021 34 FIT4 F-S TOPCAP ASSEMBLIES

SIZE DWG. NO.

C

PLOT SCALE | .50:1

SHEET 1 OF 1

- PROPRIETARY -
THIS DOCUMENT CONTAINS CONFIDENTIAL, PROPRIETARY INFORMATION
THAT IS FOX PROPERTY. DO NOT DISCLOSE TO OR DUPLICATE
FOR OTHERS EXCEPT AS AUTHORIZED BY FOX.

4

3

2

1