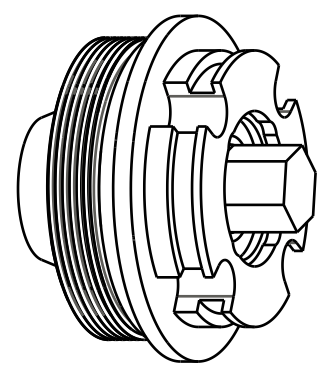


4

3

2

1



Ball [Ø 0.0938] 52100 Grade 25 Steel, Chrome

Spring: Detent [1.28 TLG, .087 OD, 24 lb/in]

GREASE:  
THIN LAYER  
SLICK HONEY

GREASE:  
THIN LAYER  
SLICK HONEY

GREASE:  
THICK LAYER  
HIGH TEMP BLUE

Seals: O-Ring [6.0mm ID x 1.5mm CS] Metric, N-70, Static

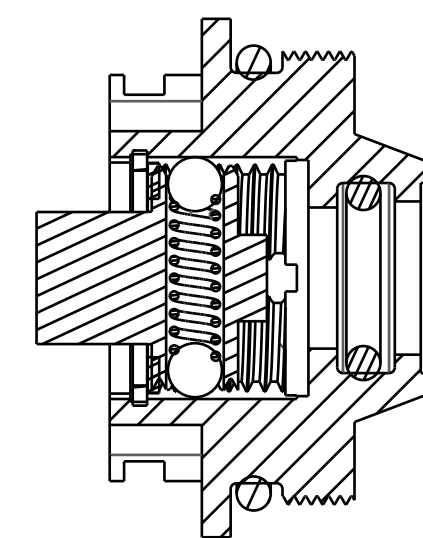
Seals: O-Ring [17.5MM ID x 1.5MM CS] Metric, N-70, Static, NSC

End Cap: Float DPX2 Rebound side

Rebound Needle Driver, Float DPX2

Fastener, Custom: Washer [0.398 OD x 0.275 ID x 0.020 TH] Stainless

Retaining Ring: Internal, E-ends, 0.400 Housing, [OD 0.443 , TH 0.025 ], 316 SS



SECTION A-A  
SCALE 3.000

**FOX** **FOX Factory, Inc.** Ph 831-768-1100  
130 Hangar Way, Watsonville, CA 95076 USA Fax 831-768-9312

TITLE Eyelet Cap Assembly:  
DPX2, Rebound

SIZE DWG. NO. **C** 804-00-152-KIT

PLOT SCALE 2:1 SHEET 1 OF 1

- PROPRIETARY -  
THIS DOCUMENT CONTAINS CONFIDENTIAL, PROPRIETARY INFORMATION  
THAT IS FOX PROPERTY. DO NOT DISCLOSE TO OR DUPLICATE  
FOR OTHERS EXCEPT AS AUTHORIZED BY FOX.

4

3

2

1