

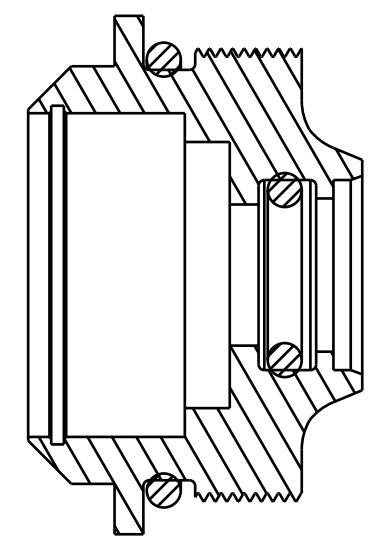
GREASE:  
THIN LAYER  
SLICK HONEY

GREASE:  
THIN LAYER  
HIGH TEMP BLUE

Seals: O-Ring [6.0mm ID x 1.5mm CS] Metric, N-70, Static

Seals: O-Ring [17.5MM ID x 1.5MM CS] Metric, N-70, Static

End Cap: FLOAT DPX2, Compression Side, F-S



SECTION A-A  
SCALE 3.000

**FOX** FOX Factory, Inc. Ph 831-768-1100  
130 Hangar Way, Watsonville, CA 95076 USA Fax 831-768-9312

TITLE Eyelet Cap Assembly:  
DPX2, Compression, F-S

SIZE DWG. NO. **C** 804-00-154-KIT

PLOT SCALE 2:1 SHEET 1 OF 1

- PROPRIETARY -  
THIS DOCUMENT CONTAINS CONFIDENTIAL, PROPRIETARY INFORMATION  
THAT IS FOX PROPERTY. DO NOT DISCLOSE TO OR DUPLICATE  
FOR OTHERS EXCEPT AS AUTHORIZED BY FOX.