

4

3

2

1

— PROPRIETARY —
THIS DOCUMENT CONTAINS CONFIDENTIAL, PROPRIETARY INFORMATION
THAT IS FOX PROPERTY. DO NOT DISCLOSE TO OR DUPLICATE
FOR OTHERS EXCEPT AS AUTHORIZED BY FOX.

D

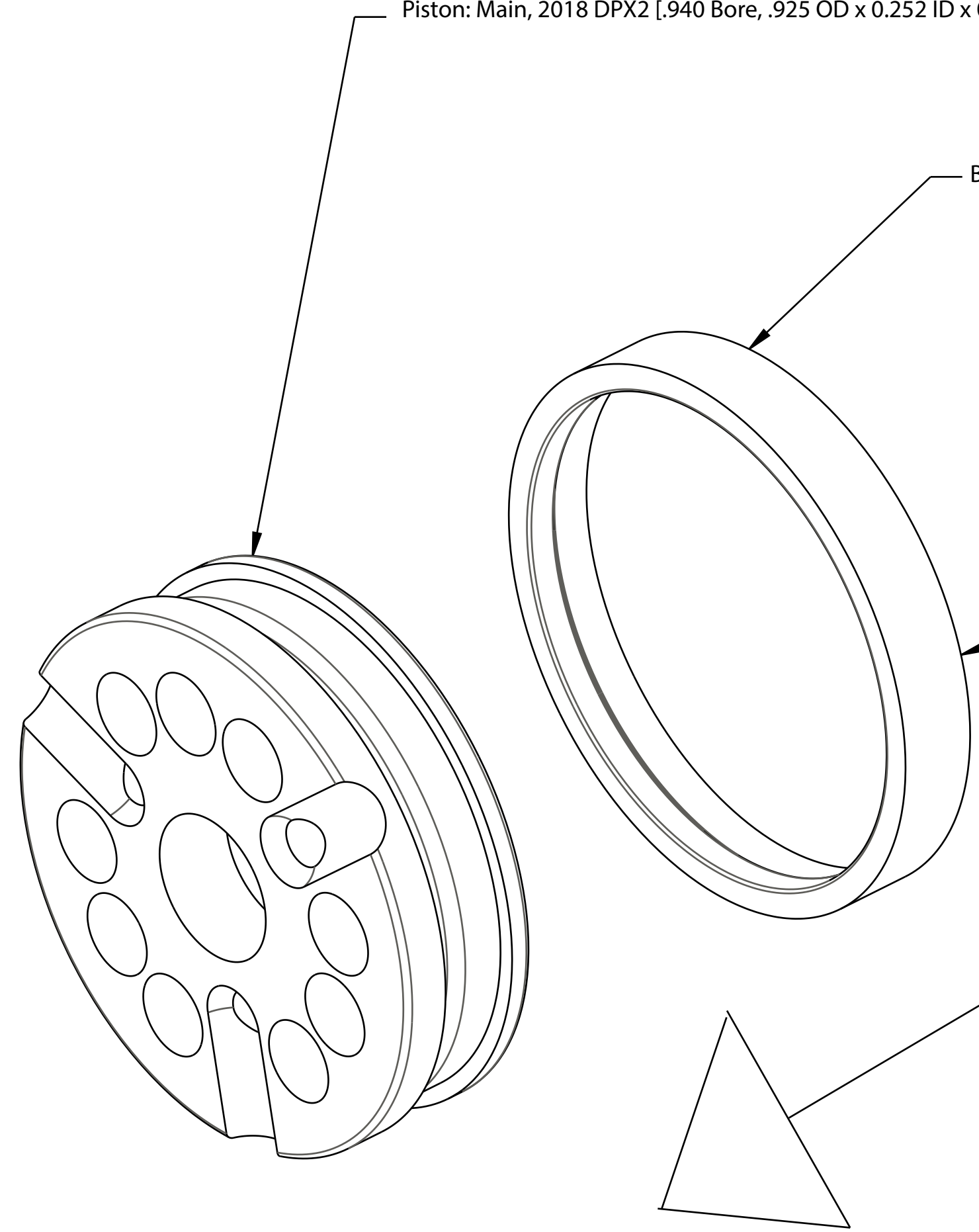
D

Piston: Main, 2018 DPX2 [.940 Bore, .925 OD x 0.252 ID x 0.260 TLG] Anti-Clunk, High Rbd Flow

Bearing: External [.136 W x .941 OD x .031 TH] W/Step

NOTE ORIENTATION OF INNER RIB FEATURE

INSTALLATION DIRECTION



C


C

B

B

A

A

 FOX Factory, Inc.	
<small>130 Hangar Way, Watsonville, CA 95076 USA, Ph 831-768-1100, Fax 831-768-9312</small>	
Piston Assy: Damping, 2018 FLOAT DPX2	
SIZE C	PART NO. 805-02-303-KIT
PLOT SCALE 1:1:1	SHEET 1 OF 1

4

3

2

1