

4

3

2

1

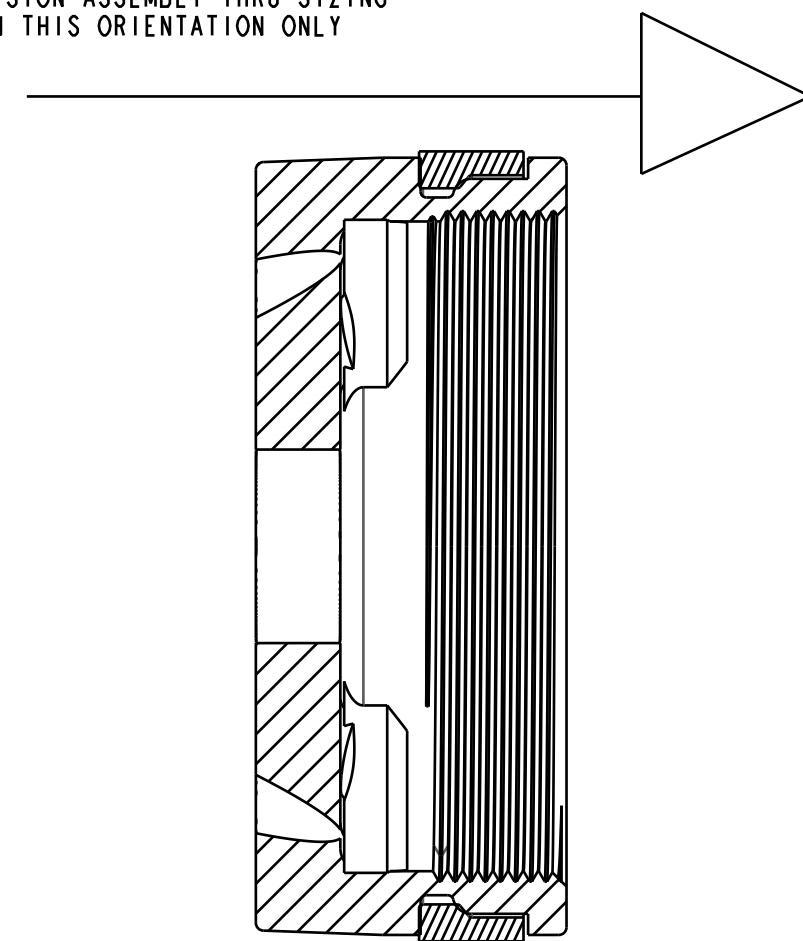
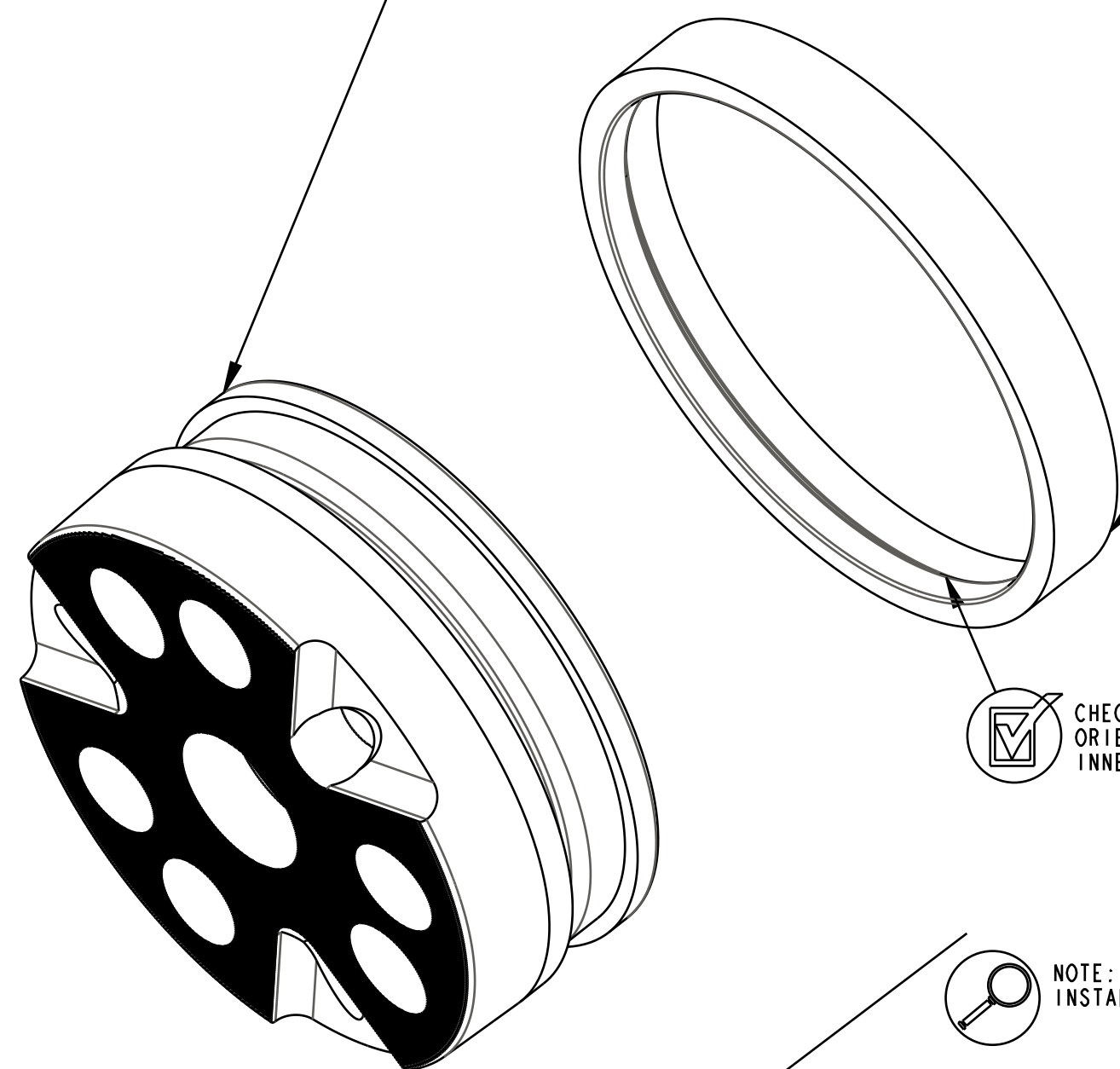
Piston: Main, 2024 Float LV, [Ø 1.026 Bore, X 0.252 ID X 0.405 TLG], Black

Bearing: External [.136W X 1.028 OD X .031 TH] w/Step

CHECK: ORIENTATION OF INNER RIB FEATURE

NOTE: INSTALLATION DIRECTION

NOTE: PUSH PISTON ASSEMBLY THRU SIZING BORE IN THIS ORIENTATION ONLY



SECTION A-A

NOTES: (UNLESS OTHERWISE SPECIFIED)

- 1. IMPORTANT: AFTER INSTALLATION, GLIDE BAND MUST BE SIZED BEFORE USE IN SHOCK. SIZE TWICE IN FUNNEL STARTING AT Ø1.052 AND ENDING AT Ø1.015.

- PROPRIETARY -
 THIS DOCUMENT CONTAINS CONFIDENTIAL, PROPRIETARY INFORMATION
 THAT IS FOX PROPERTY. DO NOT DISCLOSE TO OR DUPLICATE
 FOR OTHERS EXCEPT AS AUTHORIZED BY FOX.

		FOX Factory, Inc.	Ph 831-768-1100 Fax 831-768-9312
130 Hangar Way, Watsonville, CA 95076 USA			
TITLE Piston Assy: Damping, 2024 Float [Ø1.026 Bore, X 0.252 ID X 0.405 TLG]			
SIZE	DWG. NO.	805-02-232-KIT	
C			
PLOT SCALE	4:1	SHEET 1 OF 1	

4

3

2

1