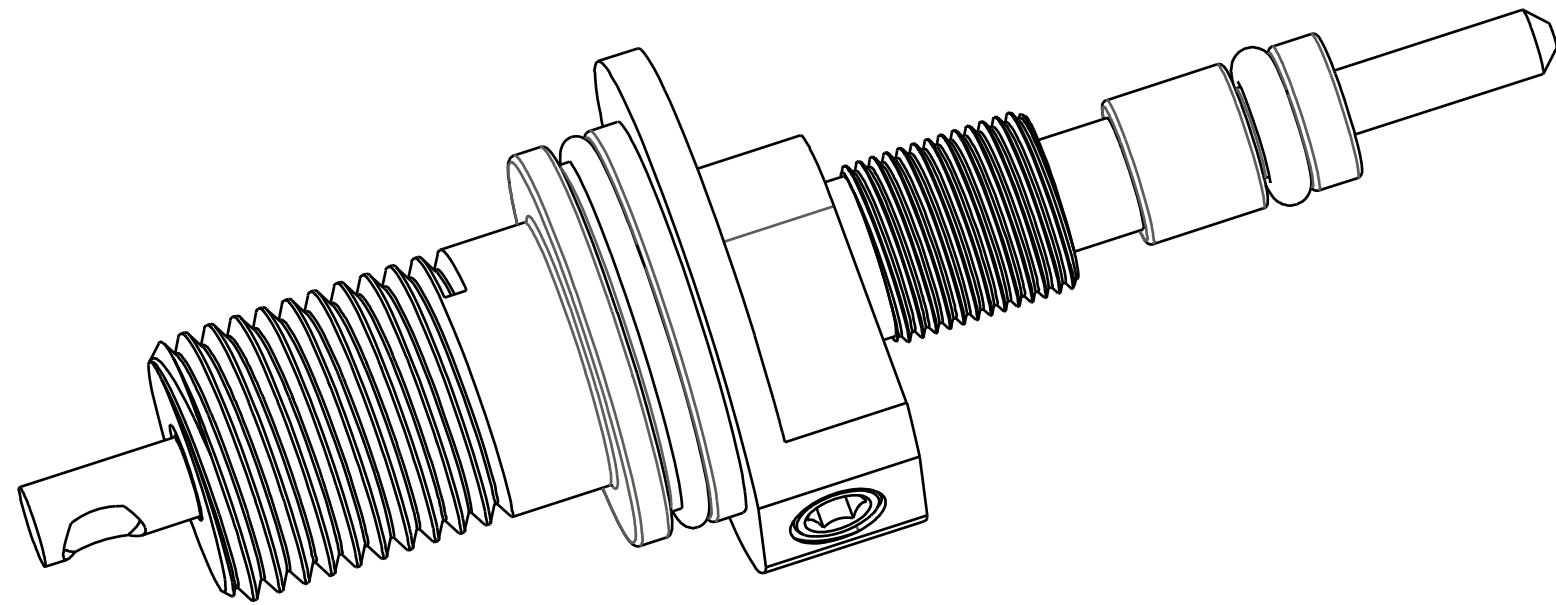


4

3

2

1



210-22-439
Lower Damper Shaft Insert, 011 36 RLC

029-08-004
O-Ring [3MM ID x 1MM C.S.]

210-22-311
Damp Adj Part: Screw, Rebound Adjust, 010 RL_RLC

GREASE:
THIN LAYER
OF SLICK HONEY

029-08-068
O-Ring [3.0MM ID x 1.5MM CS]

GREASE:
THIN LAYER
OF SLICK HONEY

GREASE:
THIN LAYER
OF SLICK HONEY

GREASE:
THIN LAYER
OF SLICK HONEY

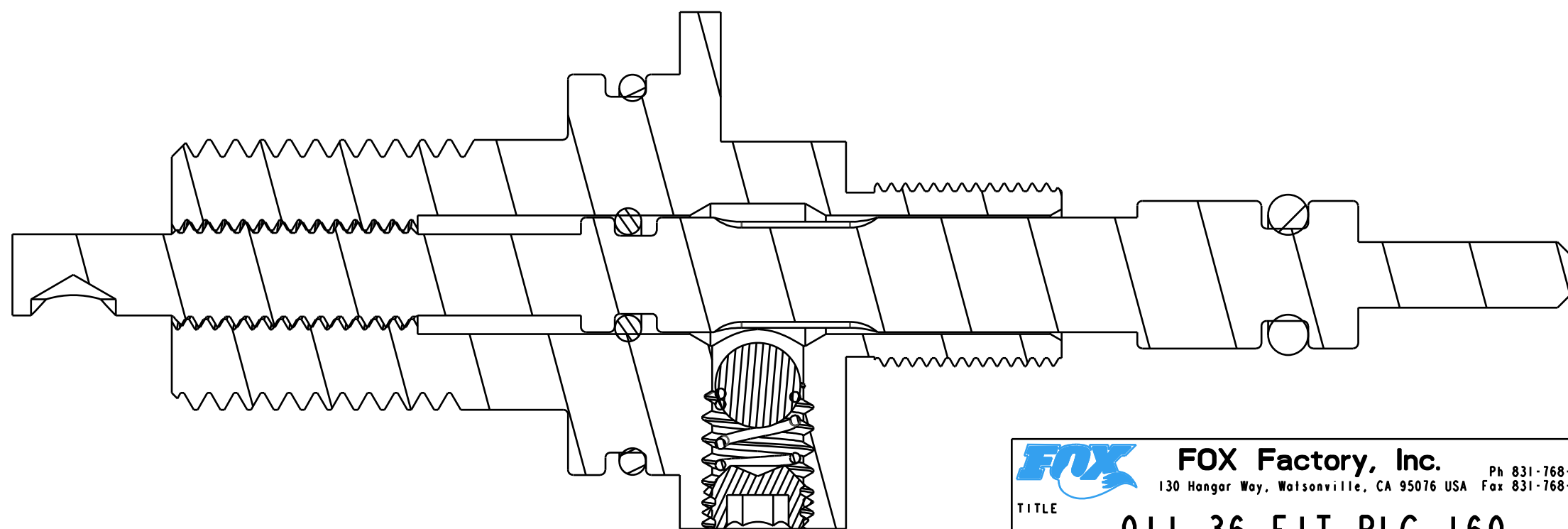
029-08-047
O-Ring [13.0MM ID x 1.0MM CS]

010-01-000
Ball [Ø 0.1250] Steel

039-00-029
Spring: [0.125 TLG X 0.125 OD X 50.00 lbs/in]

018-01-006
Screw, Set [#8-32 X .093 L] Cup Pt, Nylok

TIGHTEN UNTIL FLUSH



SECTION A-A

PROPRIETARY -
THIS DOCUMENT CONTAINS CONFIDENTIAL, PROPRIETARY INFORMATION
THAT IS FOX PROPERTY. DO NOT DISCLOSE TO OR DUPLICATE
FOR OTHERS EXCEPT AS AUTHORIZED BY FOX.

FOX FOX Factory, Inc. Ph 831-768-1100
130 Hangar Way, Watsonville, CA 95076 USA Fax 831-768-9312

TITLE
**011 36 FIT RLC 160
REBOUND ADJUSTER ASSY**

SIZE DWG. NO.
C 820-03-185-KIT

PLOT SCALE 3.00:1

SHEET 1 OF 1

4

3

2

1

ProE ASSEM