

Seals: O-Ring [16.5mm ID X 1.5mm CS] Metric, N-70, Static

039-00-205
Spring, Comp. Check

044-06-060
Valve: [1.600 X .252 X .006]

GREASE:
THIN LAYER
OF SLICK HONEY

040-20-066
Valve: [0.660 OD X 0.377 ID X 0.020 TH]

210-22-877
Reflow Cap, FIT 4

OIL:
THIN LAYER OF FOX R3
DAMPER OIL ON OD AND ID

IMPORTANT:
NOTE ORIENTATION
OF SPRING

210-22-887
Bladder Seal Ring Lower, FIT4

TORQUE:
55±5 IN.LB.

038-00-063
RING: INTERNAL SMALLY (VH-100-S02)

GREASE:
THIN LAYER
OF SLICK HONEY

210-22-303
Bladder, 010 RL_RLC

210-22-996
Shaft: Coupler, 0.375" OD X 0.254" ID, 7075-T6, FIT4

IMPORTANT:
MAKE SURE
IS FULLY SEATED

GREASE:
THIN LAYER
OF SLICK HONEY

029-03-020
O-Ring (-020) [1.070 C.S. X .864 ID]

IMPORTANT:
DO NOT SEAT UNTIL
ENTIRE CART. IS TORQUED

210-22-886
Bladder Seal Ring Upper, FIT4

TORQUE:
55±5 IN.LB.

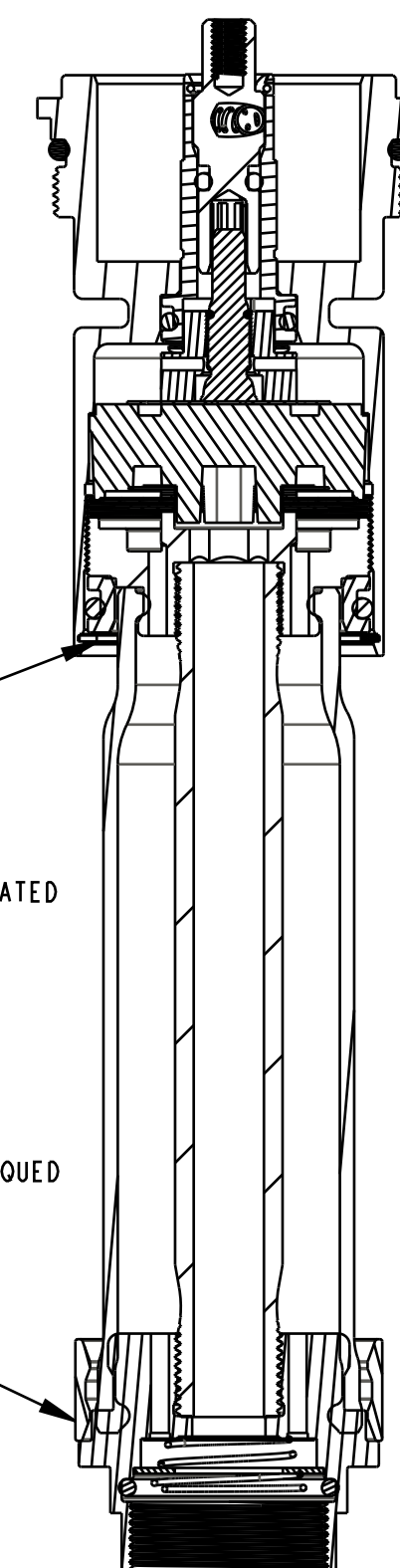
210-22-997
Compression Piston Clamp, FIT4

820-03-460-KIT
COMPRESSION VALVING ASSY

820-03-462-KIT
TOP CAP COMPRESSION PARTS

029-03-024-A
TOPCAP O-RING

TOPCAP BODY



SECTION A-A
SCALE 1.500

PROPRIETARY
THIS DOCUMENT CONTAINS CONFIDENTIAL, PROPRIETARY INFORMATION
THAT IS FOX PROPERTY. DO NOT DISCLOSE TO OR DUPLICATE
FOR OTHERS EXCEPT AS AUTHORIZED BY FOX.

FOX Factory, Inc. Ph 831-768-1100
130 Hangar Way, Watsonville, CA 95076 USA Fax 831-768-9312

TITLE
**2016 34 F-S
FIT4 Topcap**

SIZE DWG. NO.
C 820-05-338-KIT

PLOT SCALE | .00:1 | SHEET 1 OF 1