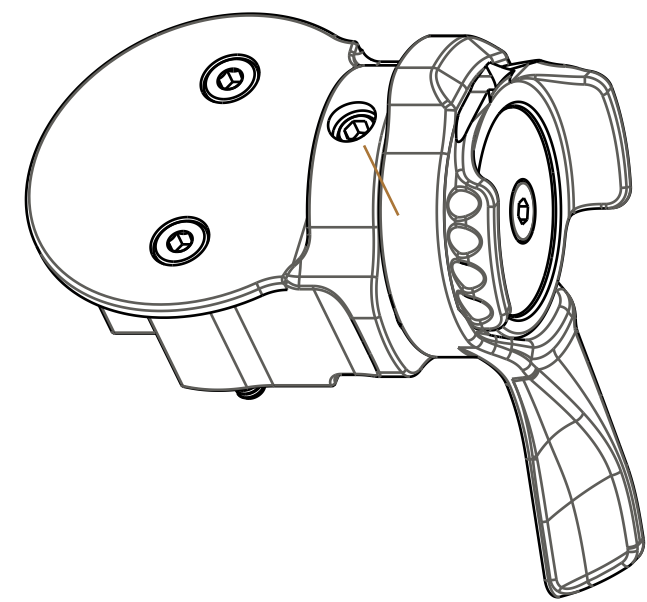


4

3

2

1



Lever, Housing, 2014 Float X [.375 Bore, .985 Cap OD] AL, Black Ano II

(039-00-228)

(010-01-000)

GREASE:
THIN LAYER
HIGH TEMP BLUE

GREASE:
THIN LAYER
HIGH TEMP BLUE

234-04-430

Socket Head Cap Screw [M2 x .4 x 14mm SHLG] 18-8 SS

019-01-093

TORQUE:
5 IN.LB. MAX.



TORQUE:
FLUSH TO COUNTERBORE
(SEE SECTON A-A)



019-02-021

Set Screw: Custom Dog Point, Radius [M3 x .5mm, .300 TLG], SS

210-22-669

Cam, CD Adj with D-Adj, 2016 Float X [.372 OD, .813 TLG] 416SS

038-00-096
Retaining Ring: External, .250 Shaft, Smalley, 2 Turn, 302 SS

210-22-625

Shim: Spring Retainer 2013 CTD (.250 ID x .370 OD x .035 TH), SS

039-00-244

Spring: Barrel Wound [9 lb/in, .027 wire, .220 Free Lg] 302 SS

039-00-228

Spring: Detent, 2013 CTD [.190 TLG, .088 ID, 40 lb/in] 17-7 SS

010-01-000

Ball [Ø 0.1250] Steel

234-04-431

Lever, CD Adj 2014 Float X, 6061-T6, Blue Ano II

210-03-191

Knob, T-Adj 2014 Float X, AL, Black Ano II

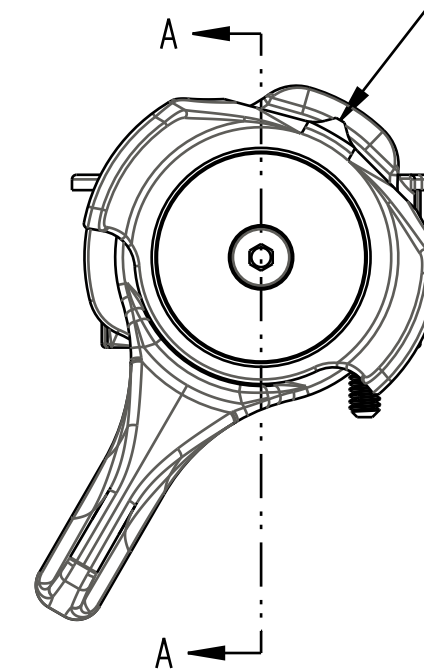
234-04-919

Cover Plate, T-Adj Knob, 2014 Float X, AL, Black Ano II

019-01-071

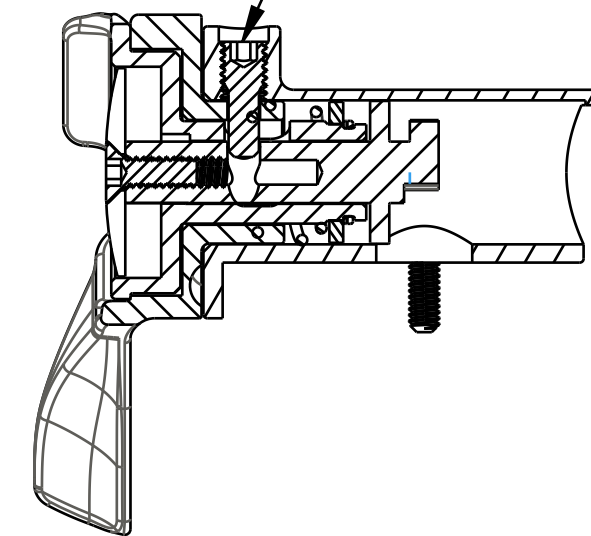
Screw [M2 x 8mm] Socket, Flathead, SST

VIEW A



"D2" POSITION

TORQUE:
FLUSH TO
COUNTERBORE



SECTION A-A

FOX FOX Factory, Inc. Ph 831-768-1100
130 Hangar Way, Watsonville, CA 95076 USA Fax 831-768-9312

TITLE
**Lever Housing Assy:
2016 Float X D-Adj**

SIZE DWG. NO.
C 820-07-121-KIT

PLOT SCALE 2:1 SHEET 1 OF 1

PROPRIETARY -
THIS DOCUMENT CONTAINS CONFIDENTIAL, PROPRIETARY INFORMATION
THAT IS FOX PROPERTY. DO NOT DISCLOSE TO OR DUPLICATE
FOR OTHERS EXCEPT AS AUTHORIZED BY FOX.

4

3

2

ProE ASSEM