

4

3

2

1

Lever, Housing, 2014 Float X Remote [.375 Bore, .985 Cap OD] AL, Black Ano II

234-04-447

GREASE:
THIN LAYER
HI-TEMP GREASE (BLUE)

(019-01-093)

019-01-093

Socket Head Cap Screw [M2 x .4 x 14mm SHLG] 18-8 SS

019-01-016

Fastener, Standard (Metric): Screw [M3 x 4mm] SS Socket Set Cup Point Patchlock

CABLE STOP DOWN

(019-01-099)

TORQUE:
5±1 IN.LB.

210-30-059

Cam: CD Adj, 2016 Float X Remote [.372 OD, 1.235 TLG] 416 SS, Improved

039-00-297

Spring: Torsion, 2014 CTD Cable Remote, .041 Round Wire, .360 OD, [.0071 in-lb/d

GREASE:
THIN LAYER
HI-TEMP GREASE (BLUE)

210-22-770

019-01-099 Base Plate: 2014 Float X Remote [.375 hex, .325 TLG] AL, Black Ano II
Torx T6, Button Head Cap Screw [M2x.4x8mm], Class 8.8, Zinc

TORQUE:
START THREADS
2 TURNS

TORQUE:
5±1 IN.LB.

026-03-048

Housing Stop: 2013 CTD Cable Remote

038-00-095

Retaining Ring: External, Round Wire [.038 Wire OD, .360 free ID]

210-22-666

Pulley: 2013 CTD Cable Remote

TORQUE:
5±1 IN.LB.

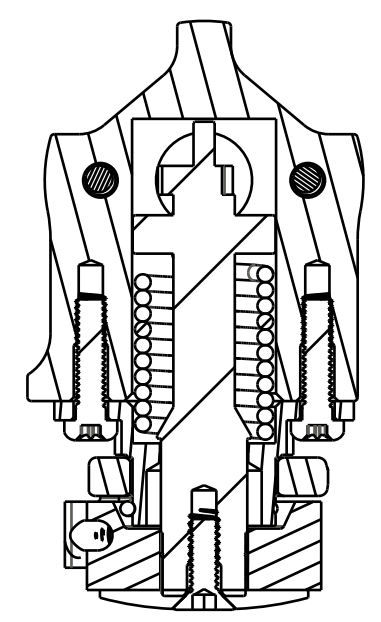
019-01-101

234-04-919 Fastener, Standard (Metric): Screw [M3 x .5mm x 4mm] SS, Socket Set Flat Point,
Cover Plate, T-Adj Knob, 2014 Float X, AL, Black Ano II

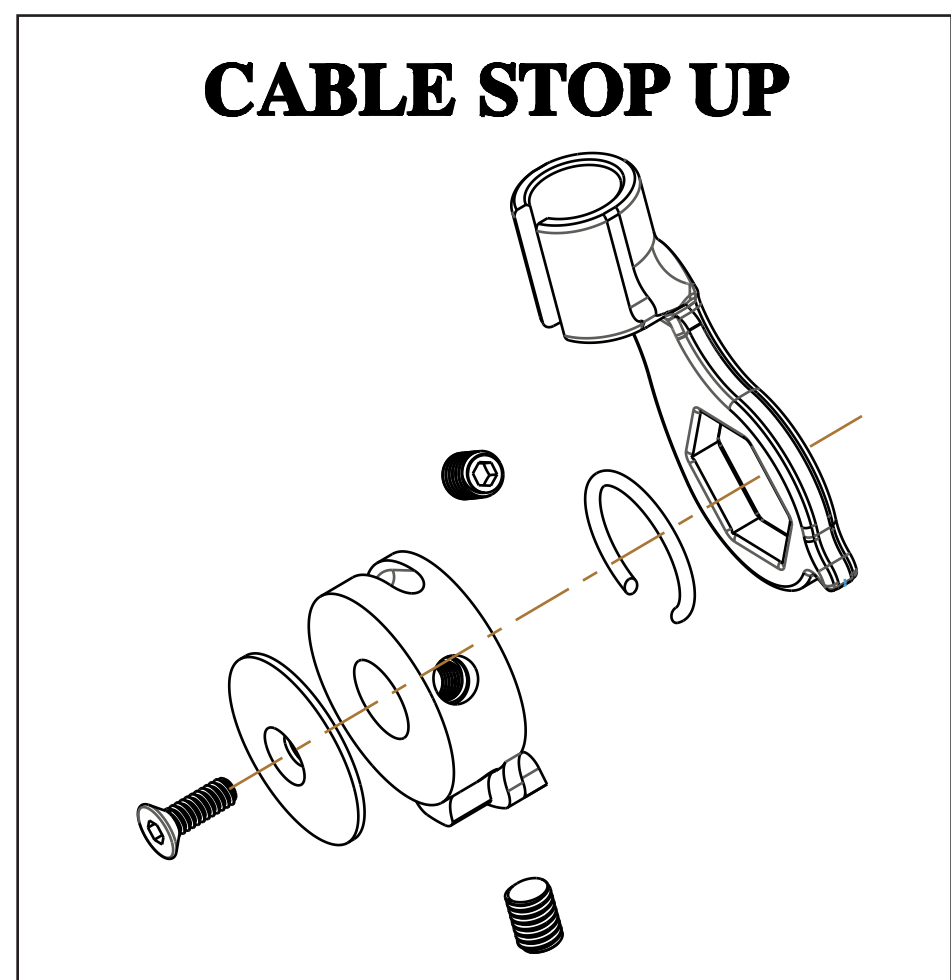
019-01-071

Screw [M2 x 8mm] Socket, Flathead, SST

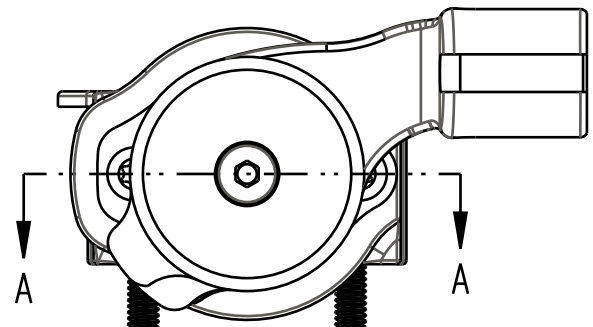
CABLE STOP UP



SECTION A-A



VIEW A



FOX FOX Factory, Inc. Ph 831-768-1100
130 Hangar Way, Watsonville, CA 95076 USA Fax 831-768-9312

TITLE
**Lever Housing Assy:
2016 Float X CTD Remote**

SIZE DWG. NO. **820-07-122-KIT**

PLOT SCALE 2:1 SHEET 1 OF 2

- PROPRIETARY -
THIS DOCUMENT CONTAINS CONFIDENTIAL, PROPRIETARY INFORMATION
THAT IS FOX PROPERTY. DO NOT DISCLOSE TO OR DUPLICATE
FOR OTHERS EXCEPT AS AUTHORIZED BY FOX.

4

3

2

ProE ASSEM