

018-01-026
Screw [#6-32 X .250 TLG] TORQUE:
14±2 IN LB

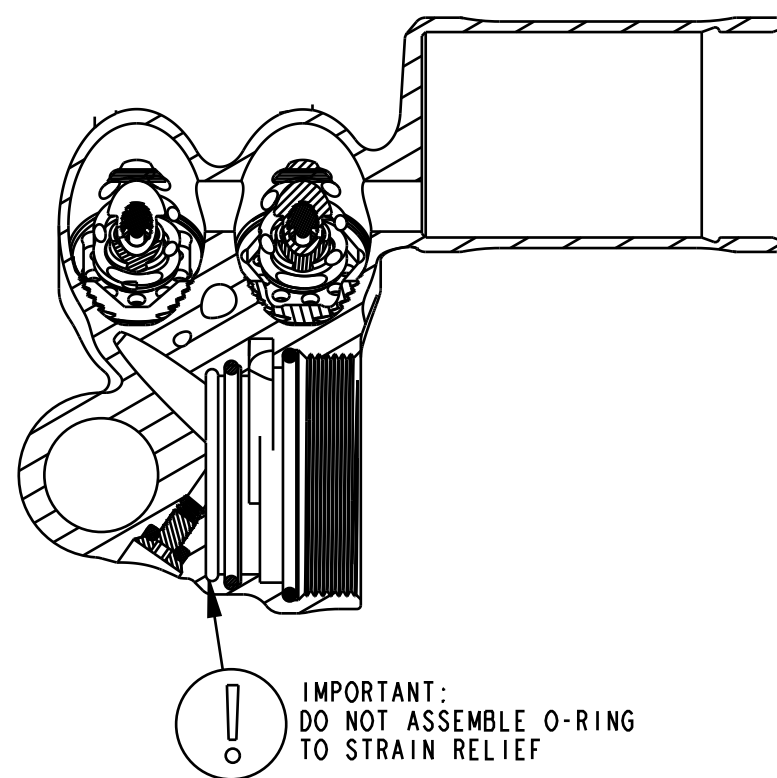
029-03-006
O-Ring (-006) [.070 C.S. X .114 ID] GREASE:
THIN LAYER
SLICK HONEY

213-01-341
Eyelet: DHX2, FloatX2, 6061-T6, Black Ano III

Seals: O-Ring [(-023) .070 C.S. X 1.051 ID] Standard, N-70, Static

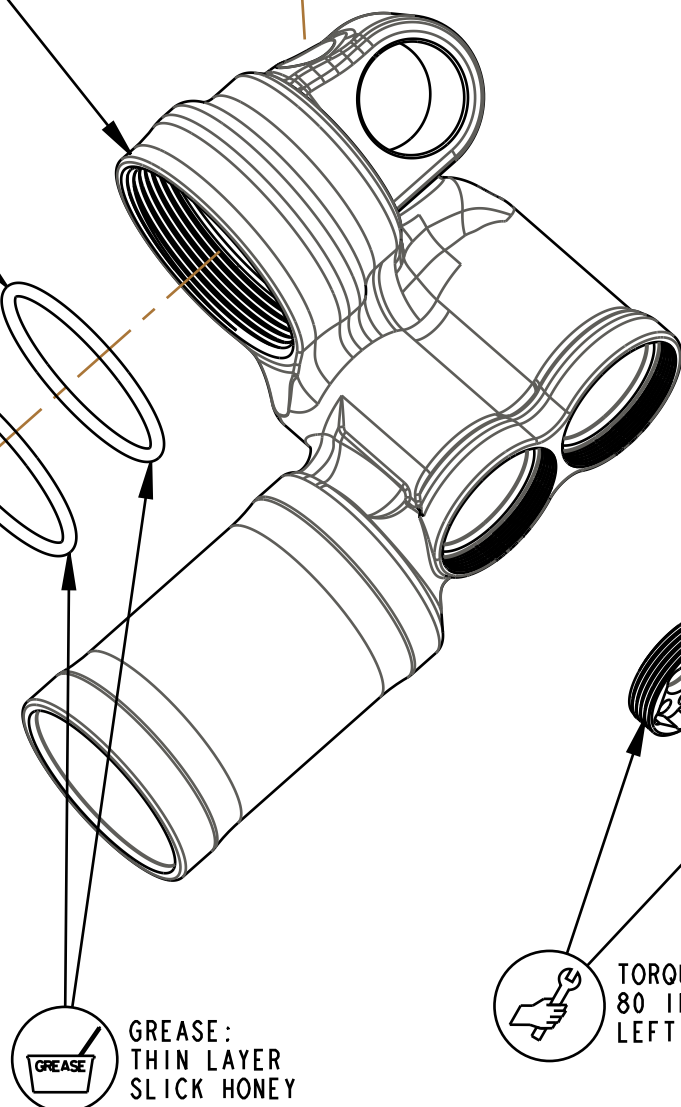
029-03-023

029-03-025
O-Ring (-025) [.070 C.S. X 1.176 ID]



IMPORTANT:
DO NOT ASSEMBLE O-RING
TO STRAIN RELIEF

SECTION B-B



GREASE:
THIN LAYER
SLICK HONEY

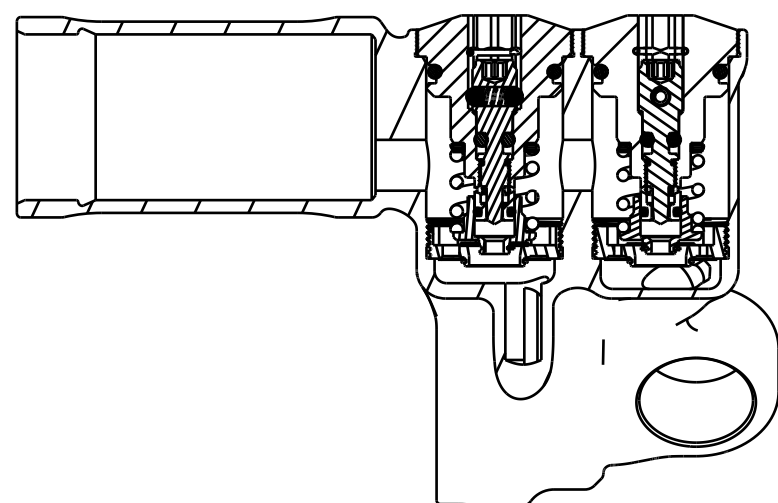
TORQUE:
80 IN LB
LEFT HAND THREAD

815-02-046-KIT
Valve Seat Assy: DHX2, Float X2

815-00-067-KIT
Damping Adj Assy: 2016 DHX2 FLOATX2 Cartridge RC CD

TORQUE:
80±5 IN.LB.

815-00-066-KIT
Damping Adj Assy: 2016 DHX2 FLOATX2 Cartridge RC RD



SECTION C-C

- PROPRIETARY -
THIS DOCUMENT CONTAINS CONFIDENTIAL, PROPRIETARY INFORMATION
THAT IS FOX PROPERTY. DO NOT DISCLOSE TO OR DUPLICATE
FOR OTHERS EXCEPT AS AUTHORIZED BY FOX.

FOX FOX Factory, Inc. Ph 831-768-1100
130 Hangar Way, Watsonville, CA 95076 USA Fax 831-768-9312

TITLE
**Eyelet Assy:
P-SE 2016 DHX2**

SIZE DWG. NO. **808-17-185-KIT**

PLOT SCALE | .00:1 | SHEET 1 OF 1