

4

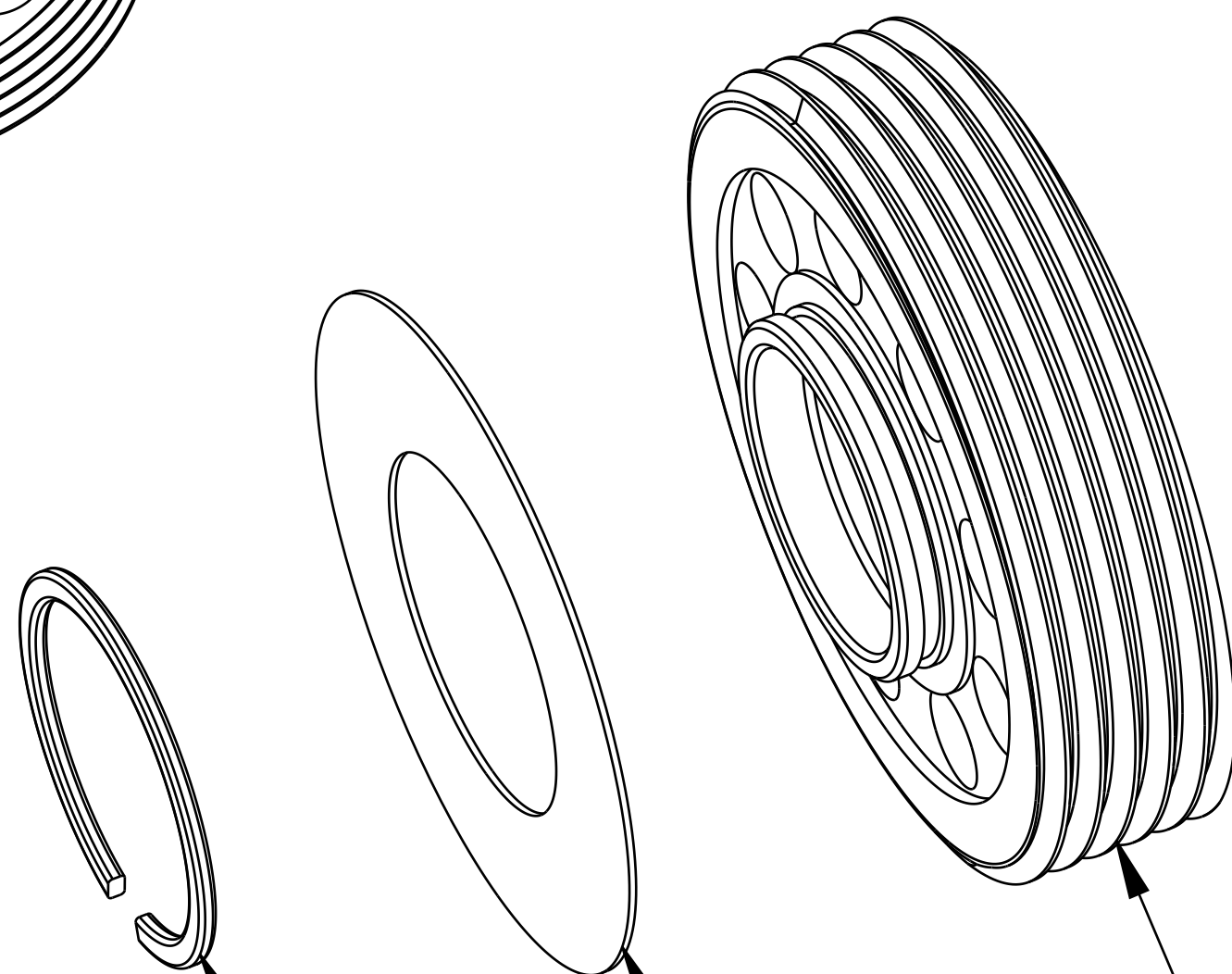
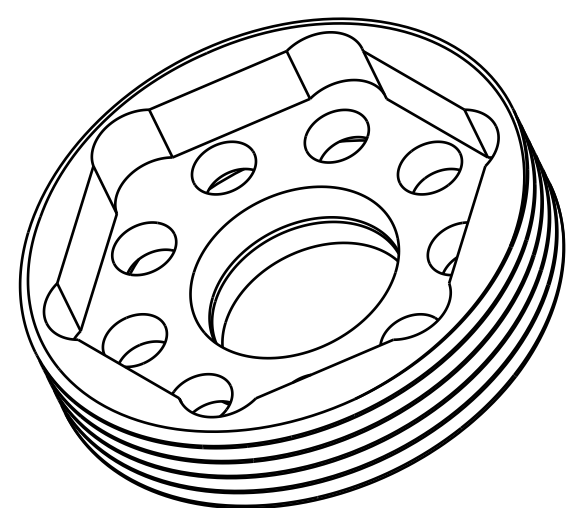
3

2

1

REVISIONS

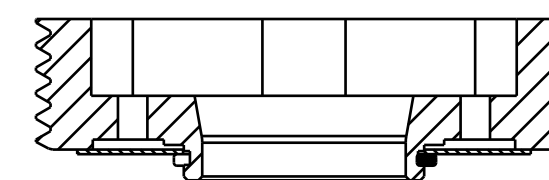
ZONE	REV	DESCRIPTION	DATE	APPROVED
	A	RELEASE FOR PRODUCTION	11 DEC 14	D. SULLIVAN



210-22-910
Housing: Base Valve, DHX2, FloatX2

045-00-150
Valve: Metric [15mm OD X 8mm ID X .15mm]

038-00-127
Retaining Ring: Smalley VS3IS16



SECTION A-A

FOX	FOX Factory, Inc.	Ph 831-768-1100
	130 Hangar Way, Watsonville, CA 95076 USA	Fax 831-768-9312
TITLE	Valve Seat Assy: DHX2, Float X2	
SIZE	DWG. NO.	815-02-046-KIT
C	PLOT SCALE 4.00:1	SHEET 1 OF 1

- PROPRIETARY -
THIS DOCUMENT CONTAINS CONFIDENTIAL, PROPRIETARY INFORMATION
THAT IS FOX PROPERTY. DO NOT DISCLOSE TO OR DUPLICATE
FOR OTHERS EXCEPT AS AUTHORIZED BY FOX.

4

3

2