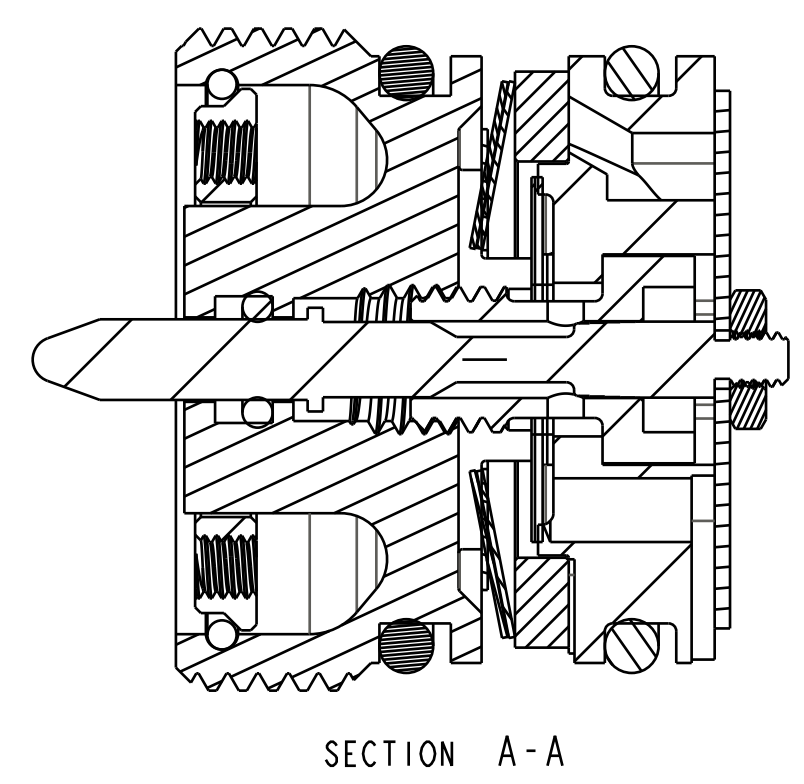
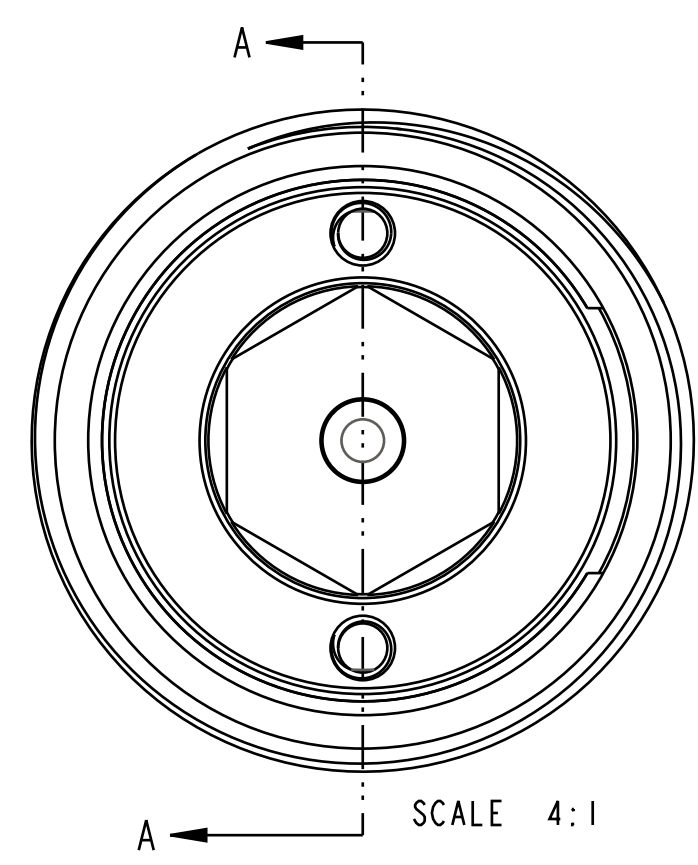
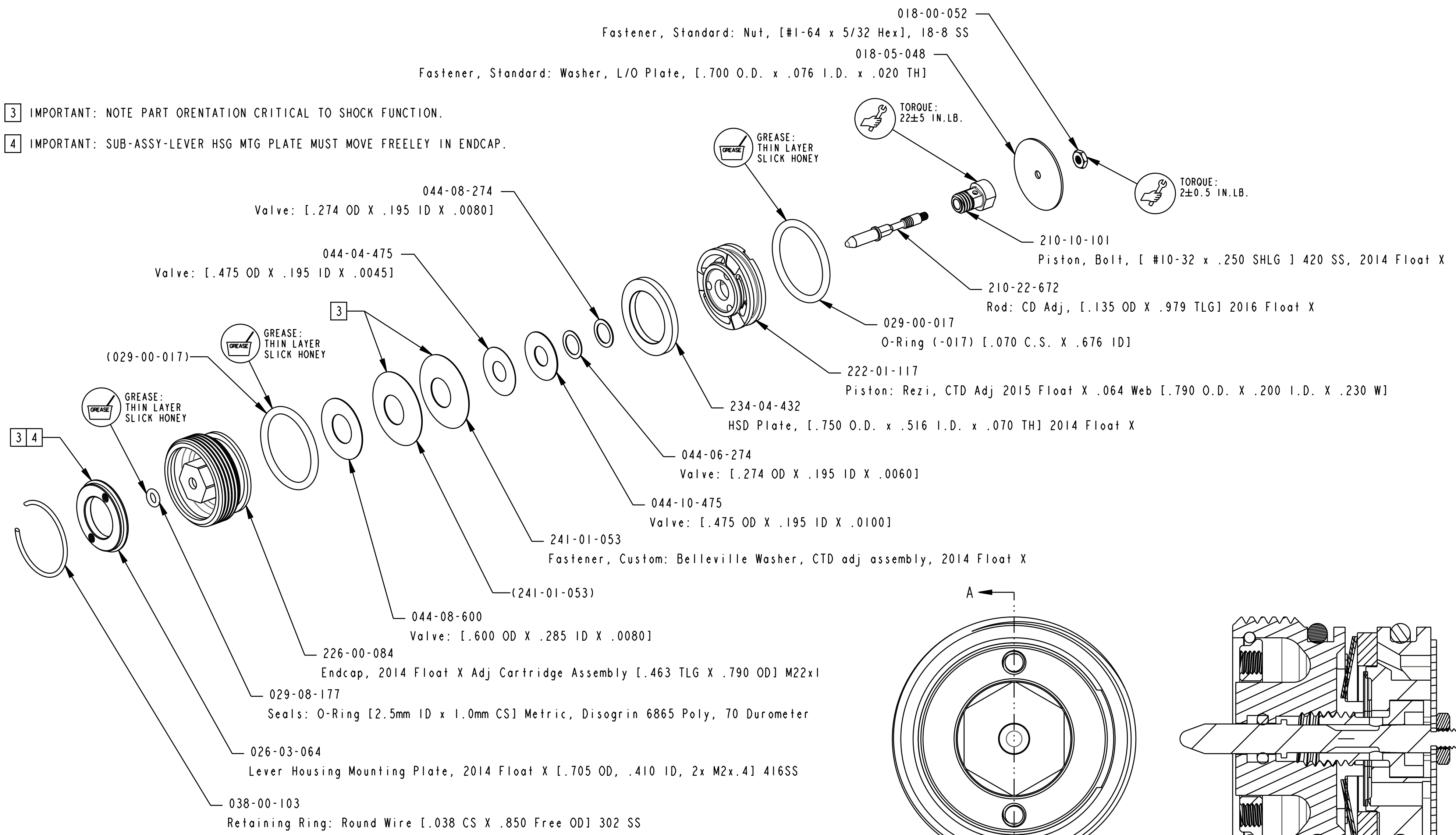


- 3 IMPORTANT: NOTE PART ORIENTATION CRITICAL TO SHOCK FUNCTION.
- 4 IMPORTANT: SUB-ASSY-LEVER HSG MTG PLATE MUST MOVE FREELEY IN ENDCAP.

Fastener, Standard: Nut, [#1-64 x 5/32 Hex], 18-8 SS
 Fastener, Standard: Washer, L/O Plate, [.700 O.D. x .076 I.D. x .020 TH]



PROPRIETARY - THIS DOCUMENT CONTAINS CONFIDENTIAL, PROPRIETARY INFORMATION THAT IS FOX PROPERTY. DO NOT DISCLOSE TO OR DUPLICATE FOR OTHERS EXCEPT AS AUTHORIZED BY FOX.

FOX **FOX Factory, Inc.** Ph 831-768-1100
 130 Hangar Way, Watsonville, CA 95076 USA Fax 831-768-9312

TITLE **Damping Adj Assy: 2016 Float X Rezi Cartridge, CM, CMM**

SIZE DWG. NO. **C 815-00-069-KIT**

PLOT SCALE 1:1 SHEET 1 OF 1