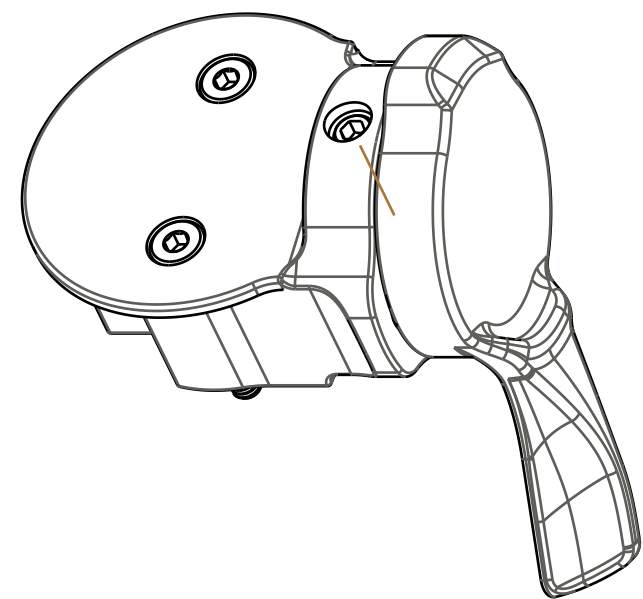


4

3

2

1



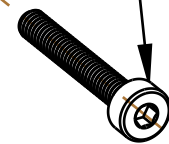
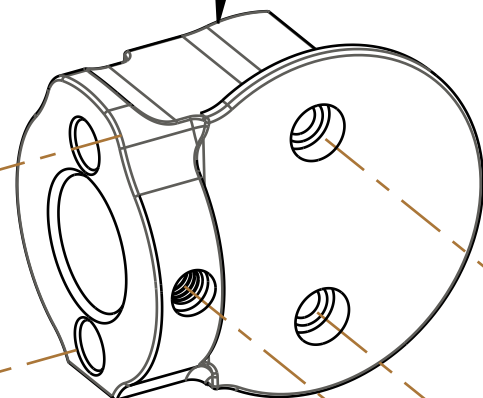
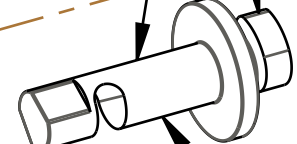
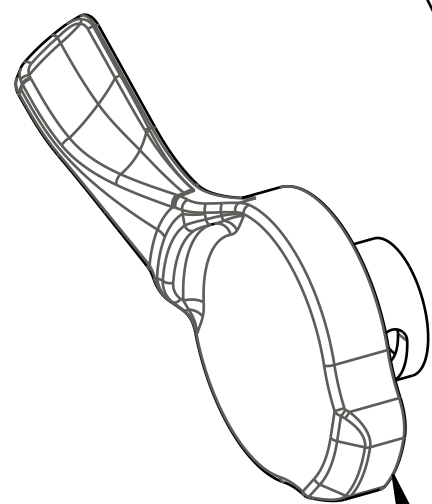
Lever, Housing, 2014 Float X [.375 Bore, .985 Cap OD] AL, Black Ano II

019-01-093
Socket Head Cap Screw [M2 x .4 x 14mm SHLG] 18-8 SS

234-04-430

GREASE:
THIN LAYER
HIGH TEMP BLUE

GREASE:
THIN LAYER
HIGH TEMP BLUE



(019-01-093)

TORQUE:
FLUSH TO COUNTERBORE
(SEE SECTION A-A)

019-02-021

Set Screw: Custom Dog Point, Radius [M3 x .5mm, .300 TLG], SS

(039-00-228)

210-22-668

Cam, CD Adj. 2016 Float X 3Pos [.372 OD, .693 TLG] 416SS

039-00-228

Spring: Detent, 2013 CTD [.190 TLG, .088 ID, 40 lb/in] 17-7 SS

(010-01-000)

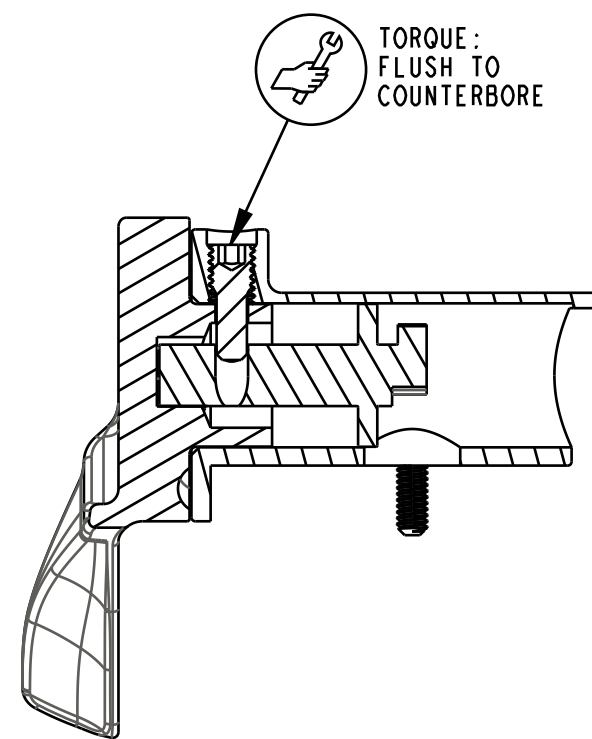
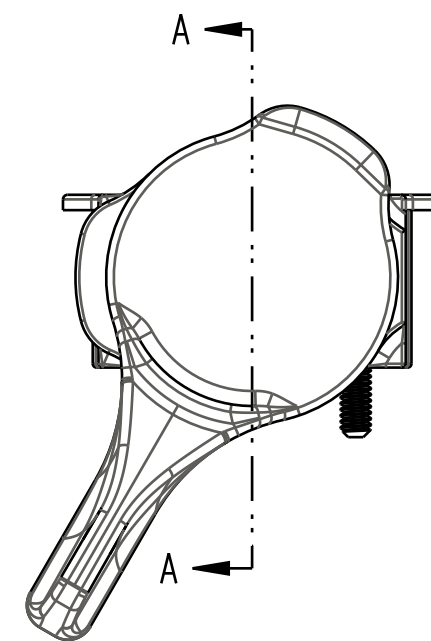
010-01-000

Ball [Ø 0.1250] Steel

234-04-819

Lever: CD Adj 2016 Float X, 3pos, 6061-T6, Blue Ano II

VIEW A



SECTION A-A

FOX FOX Factory, Inc. Ph 831-768-1100
130 Hangar Way, Watsonville, CA 95076 USA Fax 831-768-9312

TITLE
**Lever Housing Assy:
2016 Float X 3pos**

SIZE DWG. NO.
C 820-07-120-KIT

PLOT SCALE 2:1 SHEET 1 OF 1

- PROPRIETARY -
THIS DOCUMENT CONTAINS CONFIDENTIAL, PROPRIETARY INFORMATION
THAT IS FOX PROPERTY. DO NOT DISCLOSE TO OR DUPLICATE
FOR OTHERS EXCEPT AS AUTHORIZED BY FOX.

4

3

2

ProE ASSEM