

4

3

2

1

D

D

C

C

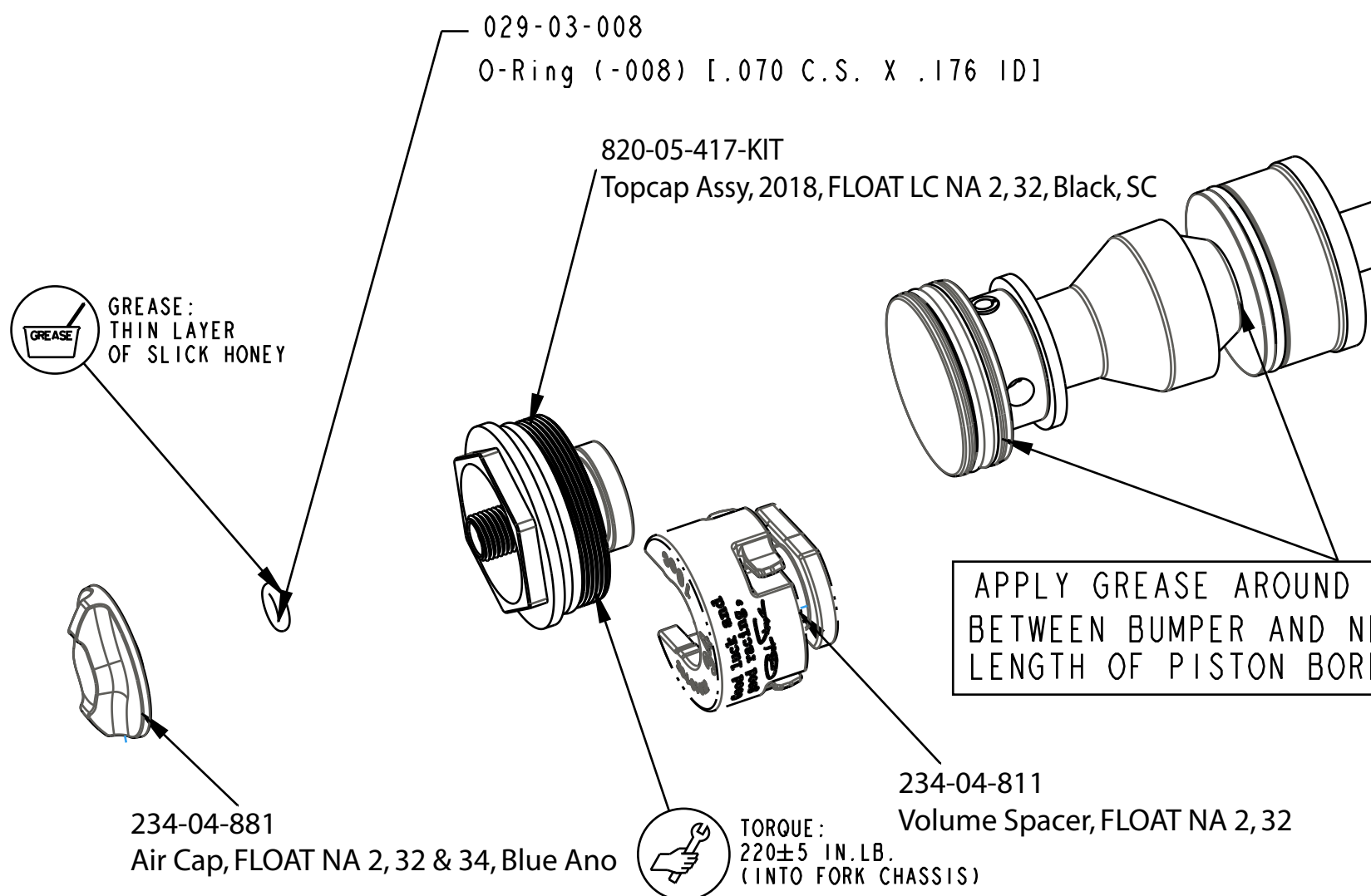
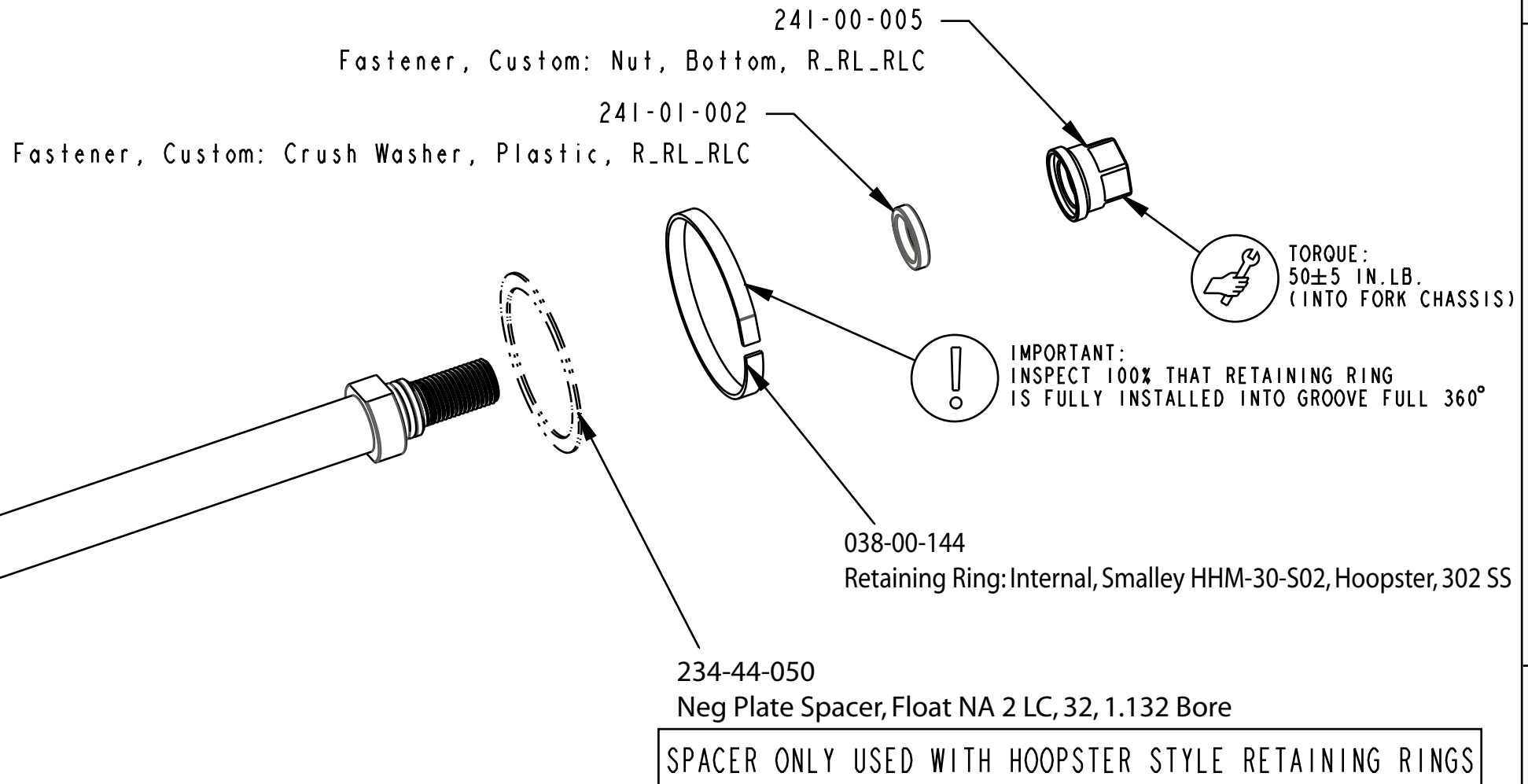
B

B

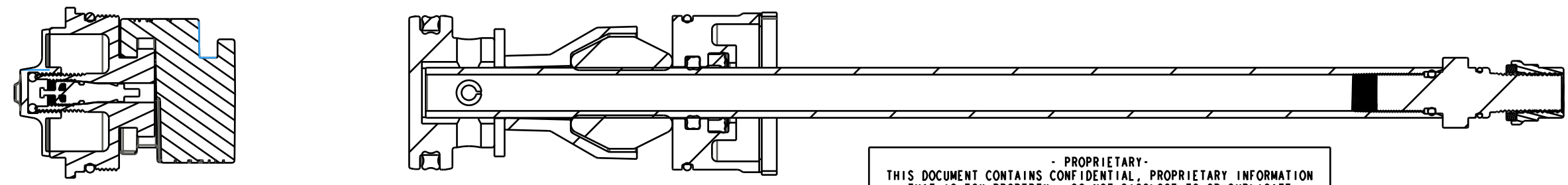
A

A

**Air Shaft Assemblies:**  
 820-02-440-KIT: Air Shaft Assy, 2018, 32, 100mm, FLOAT LC NA 2, 1.132 Bore, SC  
 820-02-441-KIT: Air Shaft Assy, 2018, 32, 80mm, FLOAT LC NA 2, 1.132 Bore, SC  
 820-02-456-KIT: Air Shaft Assy, 2018, 32, 40mm, FLOAT LC NA 2, 1.132 Bore, SC



**APPLY GREASE AROUND PISTON, ON AIR SHAFT, BETWEEN BUMPER AND NEG PLATE, AND A THIN LAYER ON ENTIRE LENGTH OF PISTON BORE OF UPPER TUBE ID.**



**PROPRIETARY - THIS DOCUMENT CONTAINS CONFIDENTIAL, PROPRIETARY INFORMATION THAT IS FOX PROPERTY. DO NOT DISCLOSE TO OR DUPLICATE FOR OTHERS EXCEPT AS AUTHORIZED BY FOX.**

**FOX Factory, Inc.** Ph 831-768-1100  
 130 Hangar Way, Watsonville, CA 95076 USA Fax 831-768-9312

**TITLE**  
 2018 32mm 27.5in/29in 40mm/80mm/100mm  
 FLOAT NA2 SC 1.132 Bore Air Spring Assemblies

**SIZE** DWG. NO.  
**C**

**PLOT SCALE** | .00:1 | **SHEET** | OF 1

4

3

2

1

ProE ASSEM