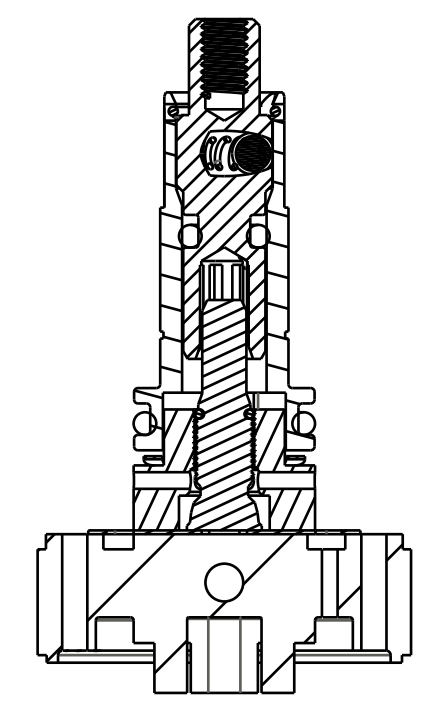
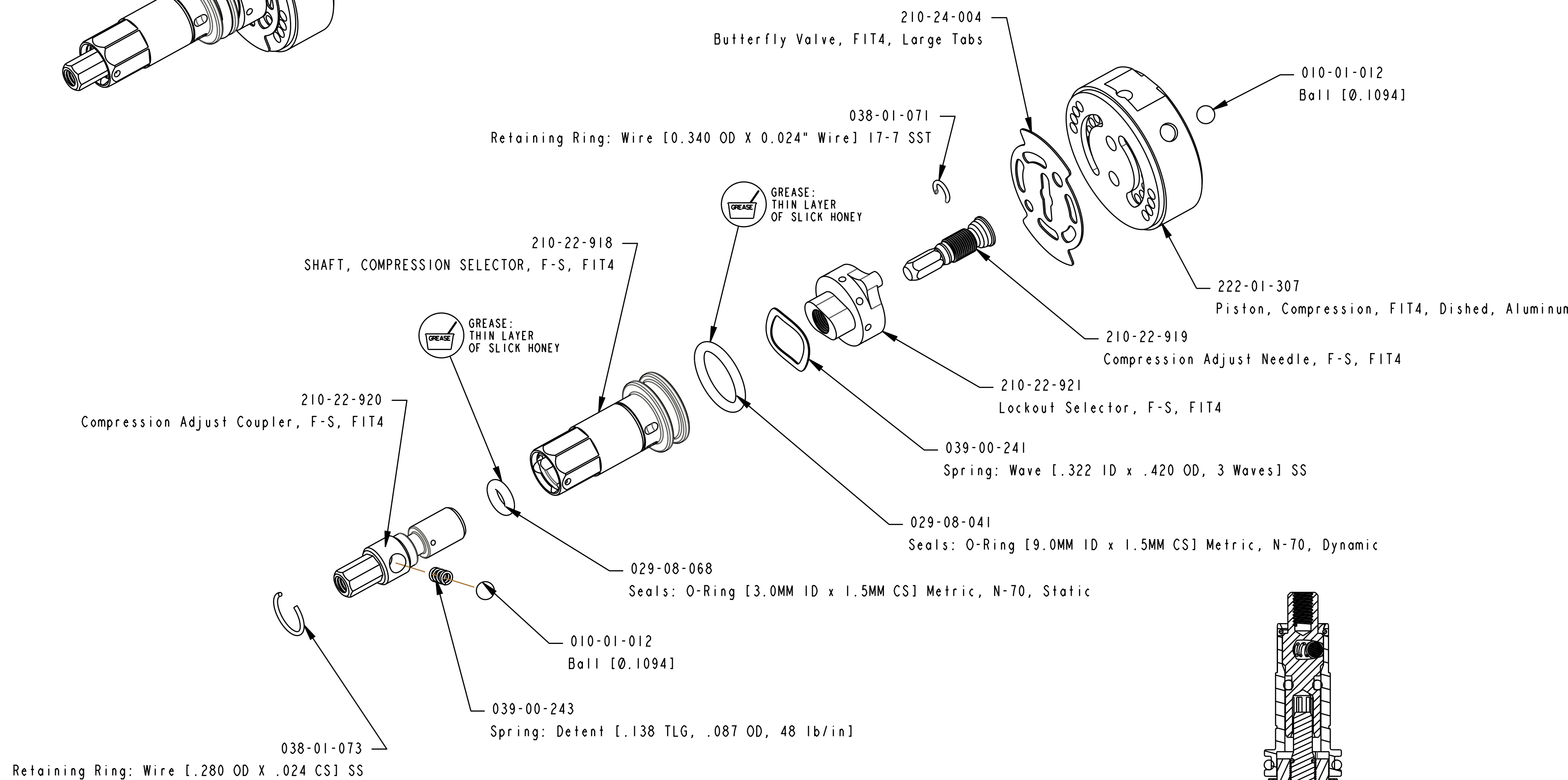
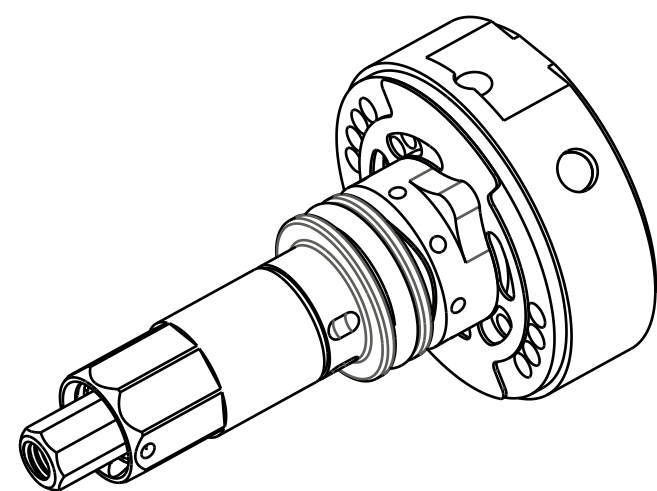


4

3

2

1



- PROPRIETARY -  
 THIS DOCUMENT CONTAINS CONFIDENTIAL, PROPRIETARY INFORMATION  
 THAT IS FOX PROPERTY. DO NOT DISCLOSE TO OR DUPLICATE  
 FOR OTHERS EXCEPT AS AUTHORIZED BY FOX.

<b>FOX Factory, Inc.</b> 130 Hangar Way, Watsonville, CA 95076 USA Ph 831-768-1100 Fax 831-768-9312	
TITLE	2017 FIT4 LIGHTWEIGHT TOP CAP PARTS
SIZE DWG. NO.	<b>C</b> 820-03-258-KIT
PLOT SCALE	2.00:1
SHEET 1 OF 1	