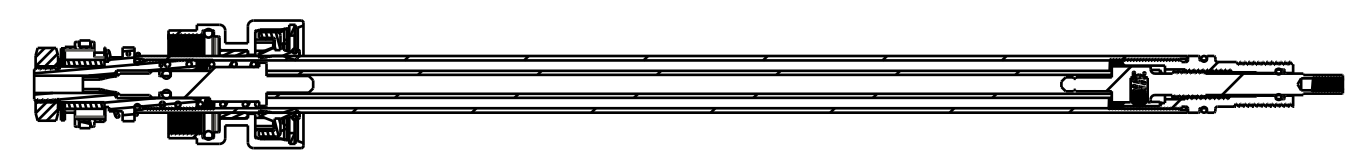
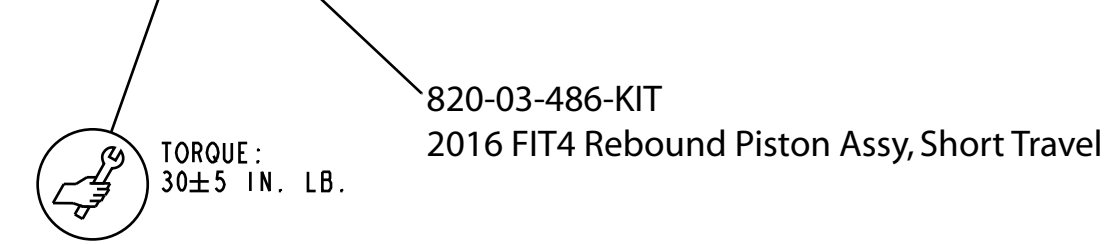
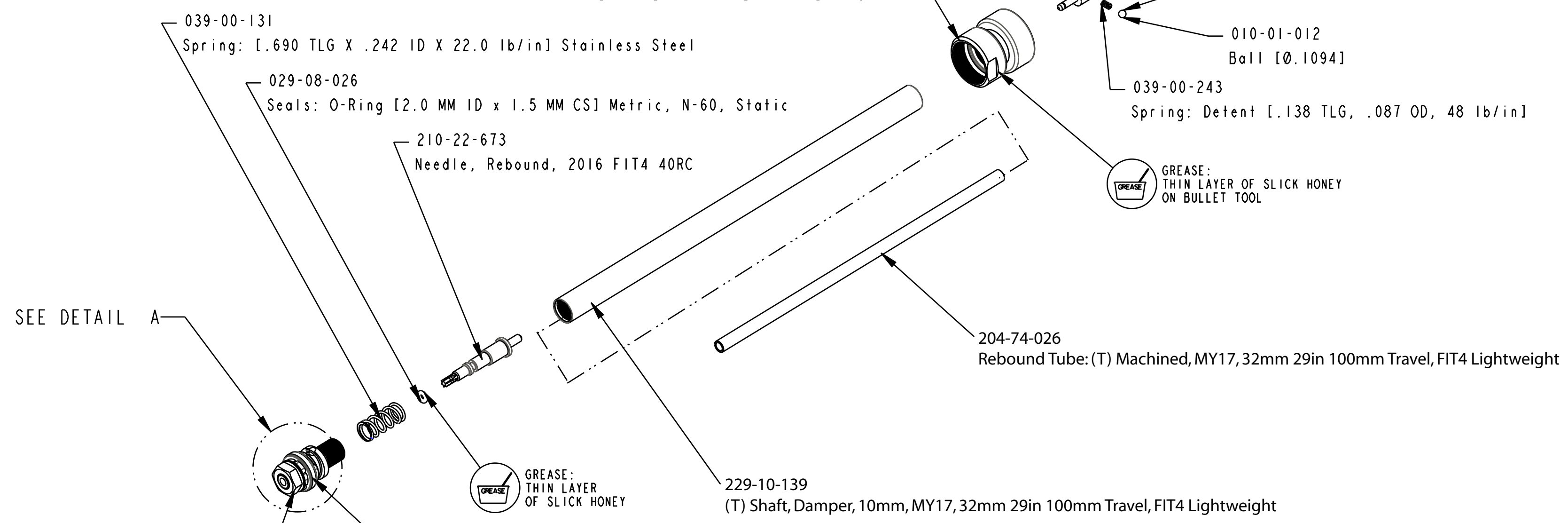
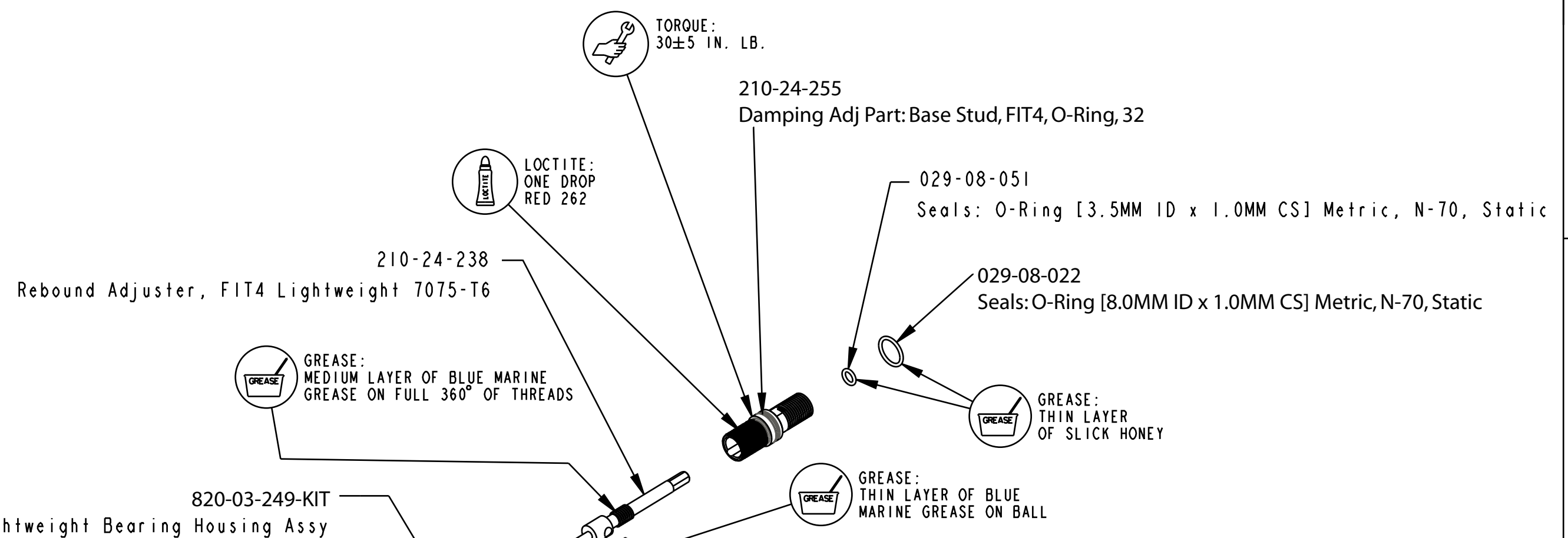
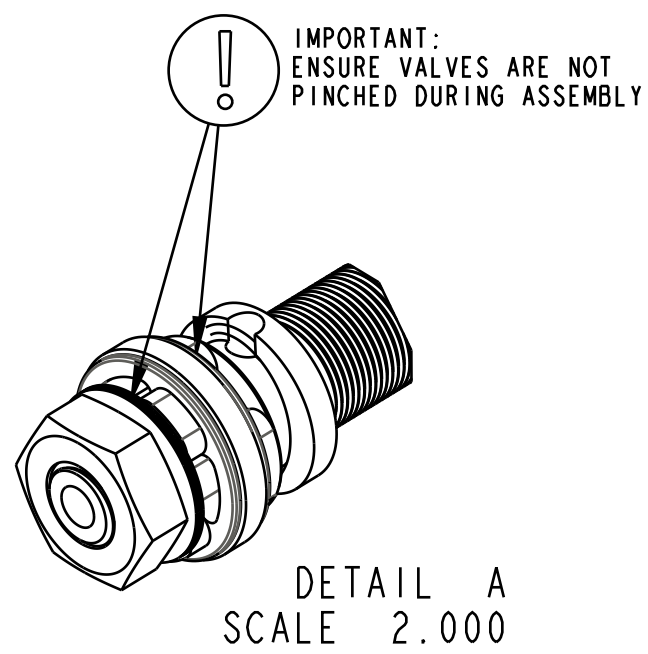


4

3

2

1



PROPRIETARY - THIS DOCUMENT CONTAINS CONFIDENTIAL, PROPRIETARY INFORMATION THAT IS FOX PROPERTY. DO NOT DISCLOSE TO OR DUPLICATE FOR OTHERS EXCEPT AS AUTHORIZED BY FOX.

FOX Factory, Inc. 130 Hangar Way, Watsonville, CA 95076 USA Ph 831-768-1100 Fax 831-768-9312	
TITLE	2017 32 27.5in and 29in FIT4 SC Damper Shaft Assy
SIZE DWG. NO.	C 820-03-259-KIT
PLOT SCALE	.00:1 SHEET 1 OF 1