

4

3

2

1

D

D

C

C

B

B

A

A

045-00-160
Valve: Metric [17.35mm OD X 7mm ID X 0.15mm THK]

210-24-171
Damping Adj Part: Piston Stud, 6mm

* PISTON ORIENTATION IS CRITICAL
SMALL PORTS FACE NUT

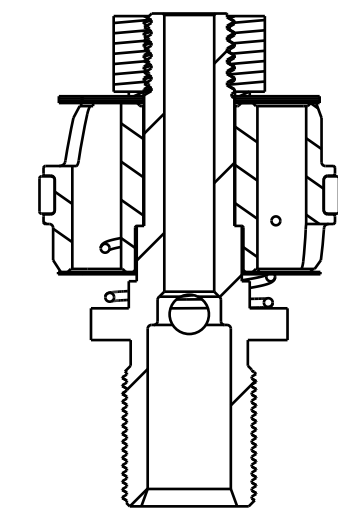
039-00-120
Spring: Rebound Check, 09 36_40

002-02-076
Bearing, External: Glide Ring, Molded, Z-Cut, 20.0 Bore

Piston, Damping, Rebound, PM, 18.5 Bore

Rebound Valving:
820-03-456-KIT: 2017 Grip Rebound Valving, Short Travel
820-03-457-KIT: 2017 Grip Rebound Valving, Long Travel

019-00-018
Fastener, Standard (Metric), Nut, M6 x .75



SECTION A-A

- PROPRIETARY -
THIS DOCUMENT CONTAINS CONFIDENTIAL, PROPRIETARY INFORMATION
THAT IS FOX PROPERTY. DO NOT DISCLOSE TO OR DUPLICATE
FOR OTHERS EXCEPT AS AUTHORIZED BY FOX.

		FOX Factory, Inc.	Ph 831-768-1100
		130 Hangar Way, Watsonville, CA 95076 USA	Fax 831-768-9312
TITLE			
2017 GRIP Rebound Piston Assemblies			
SIZE DWG. NO.			
C			
PLOT SCALE 2.00:1		SHEET 1 OF 1	

4

3

2

1