

Seals: O-Ring [16.5mm ID X 1.5mm CS] Metric, N-70, Static

029-08-059

039-00-205 Spring, Comp. Check

044-06-060 Valve: [.600 X .252 X .006]

GREASE: THIN LAYER OF SLICK HONEY

040-20-066 Valve: [0.660 OD X 0.377 ID X 0.020 TH]

IMPORTANT: NOTE ORIENTATION OF SPRING

210-22-877 Reflow Cap, FIT 4

OIL: THIN LAYER OF FOX DAMPER OIL ON OD AND ID

210-22-887 Bladder Seal Ring Lower, FIT4

TORQUE: 55±5 IN.LB.

038-00-063 RING: INTERNAL SMALLY (VH-100-S02)

GREASE: THIN LAYER OF SLICK HONEY

210-22-303 Bladder, 010 RL_RLC

210-22-997 Compression Piston Clamp, FIT4

210-22-996 Shaft: Coupler, 0.375" OD X 0.254" ID, 7075-T6, FIT4

GREASE: THIN LAYER OF SLICK HONEY

029-03-020 O-Ring (-020) [.070 C.S. X .864 ID]

210-22-886 Bladder Seal Ring Upper, FIT4

TORQUE: 75±5 IN.LB. COMPRESSION CLAMP INTO TOPCAP ONLY

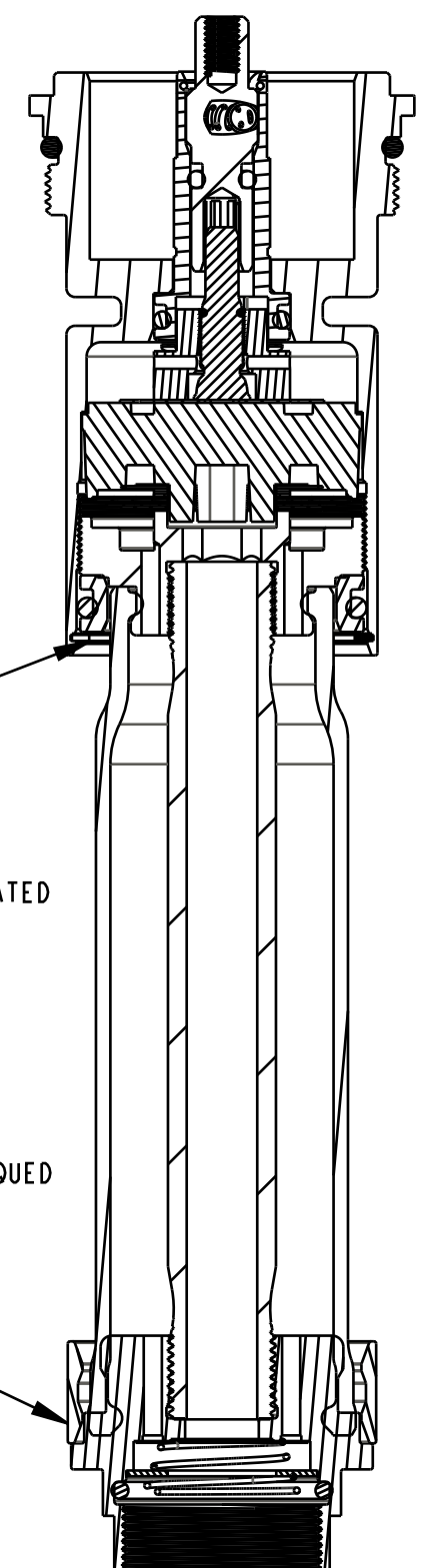
820-03-544-KIT 2018 FIT4 F-S Compression Valving Assy, E18

820-03-462-KIT 2016 FIT4 F-S Top Cap Parts

029-03-024-A Seals: O-Ring [(-024) .070 C.S. X 1.114 ID] Standard, N-70, Static

TORQUE: 55±5 IN.LB.

TOPCAP BODY



IMPORTANT: MAKE SURE IS FULLY SEATED

IMPORTANT: DO NOT SEAT UNTIL ENTIRE CART. IS TORQUED

SECTION A-A
SCALE 1.500

FOX FOX Factory, Inc. Ph 831-768-1100
130 Hangar Way, Watsonville, CA 95076 USA Fax 831-768-9312

TITLE 2018 34 FIT4 F-S Topcap Assy, E18, Black Ano

SIZE DWG. NO. C 820-05-498-KIT

PLOT SCALE | .00 : 1 | SHEET 1 OF 1

PROPRIETARY - THIS DOCUMENT CONTAINS CONFIDENTIAL, PROPRIETARY INFORMATION THAT IS FOX PROPERTY. DO NOT DISCLOSE TO OR DUPLICATE FOR OTHERS EXCEPT AS AUTHORIZED BY FOX.