

010-00-057
Air Valve Parts: Cap, Air Valve [.305-.32], Black, 6061

802-00-007-KIT
Air Valve Assy: Slim[M6 X .75, 1.150 TLG]

TORQUE:
35±5 IN LB

029-08-082
Seals: O-Ring [5.28mm ID X 1.0mm CS] Metric, N-70, Static

019-02-021
Set Screw: Custom Dog Point, Radius [M3 x .5mm, .300 TLG], SS

TORQUE:
TO CAM SHAFT
AND BACK OFF 3/8 TURN

EYELET

039-00-228
Spring: Detent, 2013 CTD [.190 TLG, .088 ID, 40 lb/in] 17-7 SS

010-01-000
Ball [Ø 0.1250] Steel

GREASE:
THIN LAYER
HIGH TEMP BLUE

029-08-079
Seals: O-Ring [7.5MM ID x 1.5MM CS] Metric, N-70, Static

029-00-030
Seals: O-Ring [(-.030) .070 C.S. X 1.614 ID] Standard N674-70, Dynamic

GREASE:
THIN LAYER
HIGH TEMP BLUE

210-22-630
Cam: (T) RD Adj, 2013 CTD Factory, [1.535 TLG, .090 Shaft] 416 SS

038-00-096
Retaining Ring: External, .250 Shaft, Smalley, 2 Turn, 302 SS

210-22-625
Shim: Spring Retainer 2013 CTD (.250 ID x .370 OD x .035 TH), SS

039-00-244
Spring: Barrel Wound [9 lb/in, .027 wire, .220 Free Lg] 302 SS

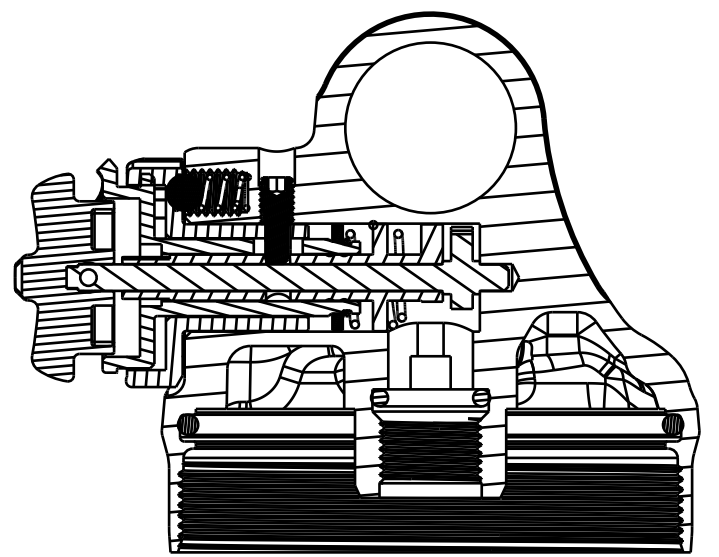
210-30-053
Cam: CD Adj, 2016 Float DPS-Adj [.372 OD, 1.113 TLG], 416 SS

210-24-190
Lever: CD Adj, 2017 DPS Factory, AL 6061

210-22-622
Knob: CD Adj, Trail Setting, 2013 CTD Factory, AL 6061

210-22-620
Rebound Knob: 2013 Float CTD [.540 OD, .272 TLG] AL 6061

019-01-006
Fastener, Standard (Metric): Screw [M3 x 4mm] SS Socket Set Cone Point



SECTION A-A
SCALE 1.500

PROPRIETARY
THIS DOCUMENT CONTAINS CONFIDENTIAL, PROPRIETARY INFORMATION
THAT IS FOX PROPERTY. DO NOT DISCLOSE TO OR DUPLICATE
FOR OTHERS EXCEPT AS AUTHORIZED BY FOX.

FOX		FOX Factory, Inc.		Ph 831-768-1100
		130 Hangar Way, Watsonville, CA 95076 USA		Fax 831-768-9312
TITLE	Eyelet Assy: 2017, FLOAT DPS, 3pos-adj, SV			
SIZE	DWG. NO.	808-17-300-KIT		
C	PLOT SCALE .50 : 1			SHEET 1 OF 2