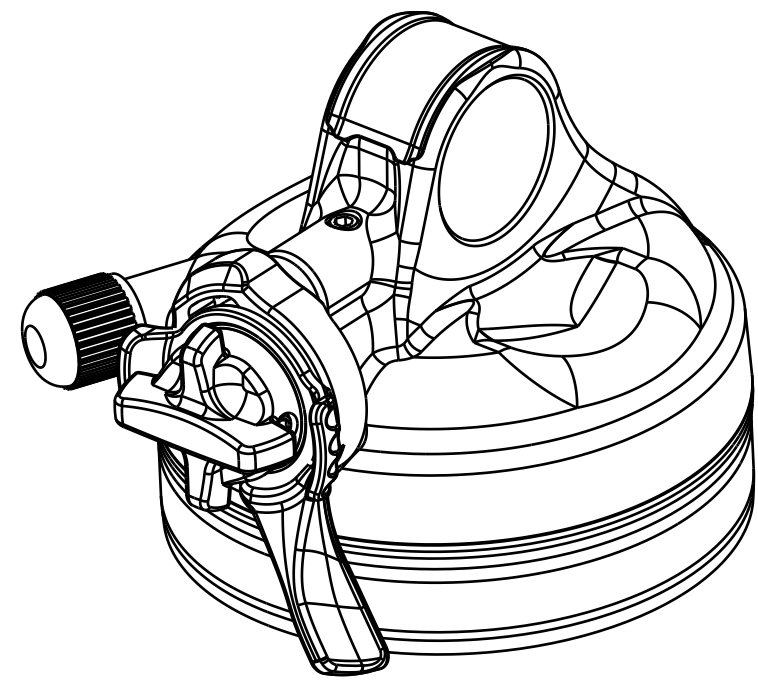


4

3

2

1



802-00-007-KIT
Air Valve Assy: Slim[M6 X .75, 1.150 TLG]

010-00-057
Air Valve Parts: Cap, Air Valve [.305-.32], Black, 6061

Spring: Detent, 2013 CTD [.190 TLG, .088 ID, 40 lb/in] 17-7 SS

010-01-000
Ball [Ø 0.1250] Steel

GREASE:
THIN LAYER
HIGH TEMP BLUE

029-08-082
Seals: O-Ring [5.28mm ID X 1.0mm CS] Metric, N-70, Static

019-02-021
Set Screw: Custom Dog Point, Radius [M3 x .5mm, .300 TLG], SS

TORQUE:
TO CAM SHAFT
AND BACK OFF 3/8 TURN

EYELET

029-08-079
Seals: O-Ring [7.5MM ID x 1.5MM CS] Metric, N-70, Static

029-00-032
Seals: O-Ring [(-032) .070 C.S. X 1.864 ID] Standard N674-70, Dynamic

210-22-630
Cam: (T) RD Adj, 2013 CTD Factory, [1.535 TLG, .090 Shaft] 416 SS

038-00-096
Retaining Ring: External, .250 Shaft, Smalley, 2 Turn, 302 SS

210-22-625
Shim: Spring Retainer 2013 CTD (.250 ID x .370 OD x .035 TH), SS

039-00-244
Spring: Barrel Wound [9 lb/in, .027 wire, .220 Free Lg] 302 SS

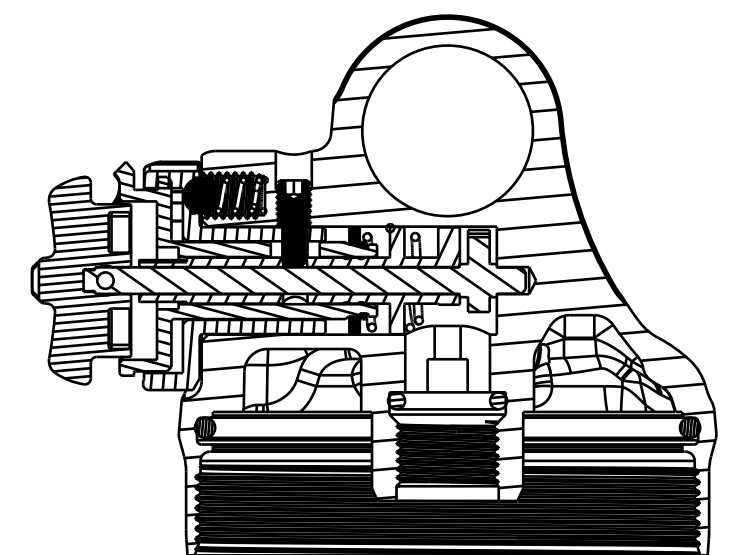
210-30-053
Cam: CD Adj, 2016 Float DPS-Adj [.372 OD, 1.113 TLG], 416 SS

210-24-190
Lever: CD Adj, 2017 DPS Factory, AL 6061

210-22-622
Knob: CD Adj, Trail Setting, 2013 CTD Factory, AL 6061

210-22-620
Rebound Knob: 2013 Float CTD [.540 OD, .272 TLG] AL 6061

019-01-006
Fastener, Standard (Metric): Screw [M3 x 4mm] SS Socket Set Cone Point



SECTION A-A
SCALE 1.500

		FOX Factory, Inc.		Ph 831-768-1100
		130 Hangar Way, Watsonville, CA 95076 USA		Fax 831-768-9312
TITLE	Eyelet Assy: 2017, FLOAT DPS, 3pos-adj, LV			
SIZE	DWG. NO.	808-17-301-KIT		
C	PLOT SCALE .50 : 1		SHEET 1 OF 2	

PROPRIETARY
THIS DOCUMENT CONTAINS CONFIDENTIAL, PROPRIETARY INFORMATION
THAT IS FOX PROPERTY. DO NOT DISCLOSE TO OR DUPLICATE
FOR OTHERS EXCEPT AS AUTHORIZED BY FOX.

4

3

2