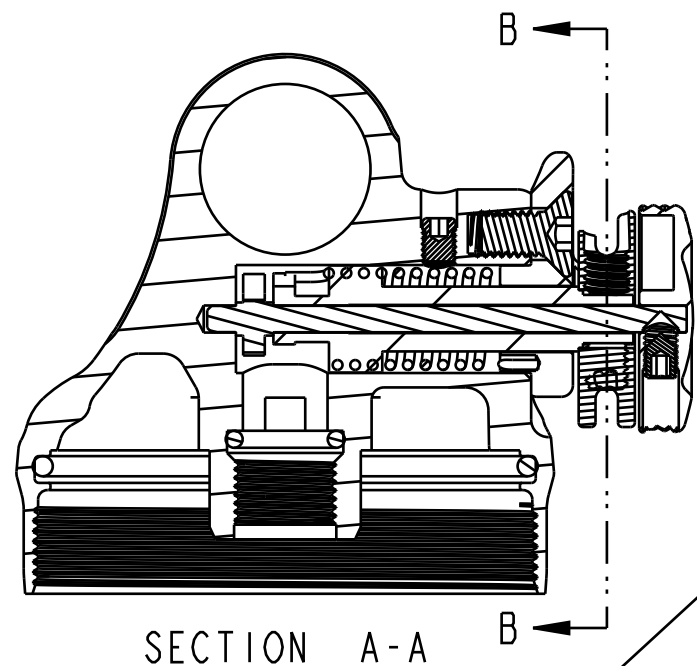


4

3

2

1



SECTION A-A

EYELET

241-02-109
Fastener, Custom: Set Screw, Flanged, M3, 2017 Lockout

039-00-393
Spring: Torsion, 2018 Dish/DPS Remote, [.0035 in-lb/deg], Unplated

210-24-151
Cam: (T) RD Adj, 2017 Float DPS, Remote, LV Down [1.540 TLG, .090 Shaft]

210-24-057
Cable Hanger, 2017 FLOAT DPS, LV Down

019-01-130
Fastener, Standard (Metric): Thin Head SHCS [M4 x .7, x 8mm] Black Zinc

TORQUE:
5±1 IN.LB.

GREASE:
THIN LAYER
HIGH TEMP BLUE

TORQUE:
25±5 IN.LB.

TORQUE:
8±2 IN.LB.

NOTE PART IDENTIFICATION GROOVES
FOR LV DOWN CONFIGURATIONS

GREASE:
THIN LAYER
HIGH TEMP BLUE

GREASE:
THIN LAYER
HIGH TEMP BLUE

TORQUE:
START THREAD 2 TURNS

019-01-134
Set Screw [M4 x .7mm x 4mm] Flat Point, Torx, Black,

210-24-054
Pulley: 2016 Nude 3 DPS-Remote

019-01-070
Set Screw [M4 x .7mm x 4mm] , SS

210-24-055
Rebound Knob: 2014 Scott Evolution

TORQUE:
5±1 IN.LB.

GREASE:
THIN LAYER
SLICK HONEY

TORQUE:
35±5 IN.LB.

210-30-118
Cam: (T) CD Adj, 2018 Float DPS, Remote, 2 Pos, Push-Unlock, LV Down, 0.4 pull opt

019-01-006
Fastener, Standard (Metric): Screw [M3 x 4mm] SS Socket Set Cone Point

010-00-057
Air Valve Parts: Cap, Air Valve [.305-.32], Black, 6061

802-00-007-KIT
Air Valve Assy: Slim[M6 X .75, 1.150 TLG]

029-08-082
Seals: O-Ring [5.28mm ID X 1.0mm CS] Metric, N-70, Static

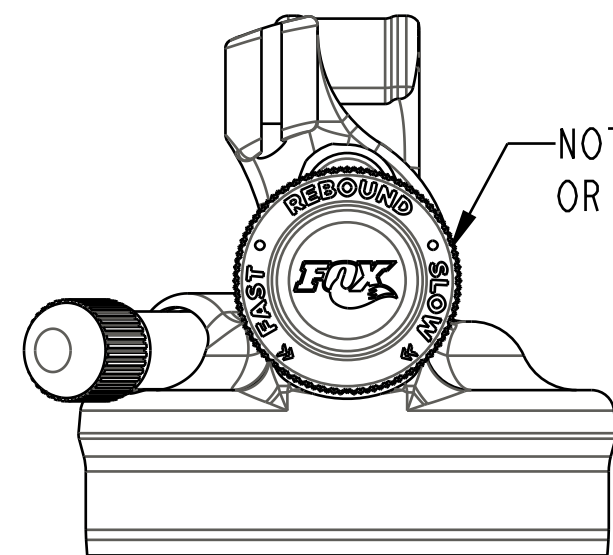
029-08-079
Seals: O-Ring [7.5MM ID x 1.5MM CS] Metric, N-70, Static

029-00-032
Seals: O-Ring [(-032) .070 C.S. X 1.864 ID] Standard N674-70, Dynamic

BLACK TORX SET SCREW FIXES PULLEY TO CAM

STAINLESS HEX SET SCREW FIXES CABLE TO PULLEY

NOTE KNOB
ORIENTATION



EYELET ASSEMBLY,
FLOAT DPS REMOTE DOWN, LV

PROPRIETARY -
THIS DOCUMENT CONTAINS CONFIDENTIAL, PROPRIETARY INFORMATION
THAT IS FOX PROPERTY. DO NOT DISCLOSE TO OR DUPLICATE
FOR OTHERS EXCEPT AS AUTHORIZED BY FOX.

FOX FOX Factory, Inc. Ph 831-768-1100
130 Hangar Way, Watsonville, CA 95076 USA Fax 831-768-9312

TITLE
Eyelet Assy: 2018 FLOAT DPS
Remote down, LV (Push-to-Unlock)

SIZE DWG. NO. 808-17-335-KIT

PLOT SCALE | .50:1 | SHEET 1 OF 2

4

3

2

ProE ASSEM