

EYELET

241-02-109  
Fastener, Custom: Set Screw, Flanged, M3, 2017 Lockout

039-00-393  
Spring: Torsion, 2018 Dish/DPS Remote, [.0035 in-lb/deg], Unplated

210-24-150  
Cam: (T) RD Adj, 2017 Float DPS, Remote, SV All and LV Up [1.435 TLG, .090 Shaft]

210-24-056  
Cable Hanger, 2017 FLOAT DPS, SV Down

019-01-129  
Fastener, Standard (Metric): FHCS [M4 x .7, x 8mm] Black Zinc

TORQUE:  
5±1 IN.LB.

GREASE:  
THIN LAYER  
HIGH TEMP BLUE

TORQUE:  
25±5 IN.LB.

TORQUE:  
8±2 IN.LB.

019-01-134  
Set Screw [M4 x .7mm x 4mm] Flat Point, Torx, Black,

210-24-054  
Pulley: 2016 Nude 3 DPS-Remote

019-01-070  
Set Screw [M4 x .7mm x 4mm] , SS

TORQUE:  
START THREAD 2 TURNS

GREASE:  
THIN LAYER  
HIGH TEMP BLUE

GREASE:  
THIN LAYER  
HIGH TEMP BLUE

210-24-055  
Rebound Knob: 2014 Scott Evolution

TORQUE:  
5±1 IN.LB.

GREASE:  
THIN LAYER  
SLICK HONEY

TORQUE:  
35±5 IN.LB.

210-30-117  
Cam: (T) CD Adj, 2018 Float DPS, Remote, 2 Pos, Push-Unlock, SV All and LV Up, 0.4 pull opt

019-01-006  
Fastener, Standard (Metric): Screw [M3 x 4mm] SS Socket Set Cone Point

010-00-057  
Air Valve Parts: Cap, Air Valve [.305-.32], Black, 6061

803-01-178  
Air Valve Part: Housing, Tank Valve, DHX2, FloatX2, 2017 DPS

029-00-009  
Seals: O-Ring [(-009) .070 C.S. X .208 ID] Standard N674-70, Dynamic

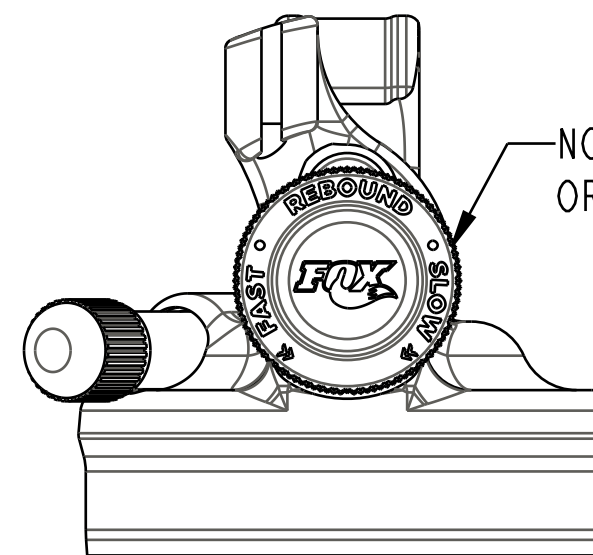
029-08-079  
Seals: O-Ring [7.5MM ID x 1.5MM CS] Metric, N-70, Static

029-00-030  
Seals: O-Ring [(-030) .070 C.S. X 1.614 ID] Standard N674-70, Dynamic

BLACK TORX SET SCREW FIXES PULLEY TO CAM

STAINLESS HEX SET SCREW FIXES CABLE TO PULLEY

NOTE KNOB  
ORIENTATION



EYELET ASSEMBLY,  
FLOAT DPS REMOTE DOWN, TRUNNION SV

PROPRIETARY  
THIS DOCUMENT CONTAINS CONFIDENTIAL, PROPRIETARY INFORMATION  
THAT IS FOX PROPERTY. DO NOT DISCLOSE TO OR DUPLICATE  
FOR OTHERS EXCEPT AS AUTHORIZED BY FOX.

**FOX** FOX Factory, Inc. Ph 831-768-1100  
130 Hangar Way, Watsonville, CA 95076 USA Fax 831-768-9312

TITLE  
Eyelet Assy: 2018 FLOAT DPS Remote  
Down, Trunnion SV (Push-to-Unlock)

SIZE DWG. NO. 808-17-337-KIT

PLOT SCALE | .50 : 1

SHEET 1 OF 2