

029-08-059
Seals: O-Ring [16.5mm ID X 1.5mm CS] Metric, N-70, Static

039-00-205
Spring, Comp. Check

044-06-060
Valve: [.600 X .252 X .006]

040-20-066
Valve: [0.660 OD X 0.377 ID X 0.020 TH]

210-22-877
Reflow Cap, FIT 4

OIL:
THIN LAYER OF FOX R3 DAMPER OIL

210-22-887
Bladder Seal Ring Lower, FIT4

TORQUE:
55±5 IN.LB.

IMPORTANT:
NOTE ORIENTATION
OF SPRING

GREASE:
THIN LAYER
OF SLICK HONEY

038-00-063
RING: INTERNAL SMALLEY (VH-100-S02)

GREASE:
THIN LAYER
OF SLICK HONEY

210-22-997
Compression Piston Clamp, FIT4

GREASE:
THIN LAYER
OF SLICK HONEY

210-22-996
Shaft: Coupler, 0.375" OD X 0.254" ID, 7075-T6, FIT4

029-03-020
O-Ring (-020) [.070 C.S. X .864 ID]

210-22-886
Bladder Seal Ring Upper, FIT4

TORQUE:
75±5 IN.LB.
COMPRESSION CLAMP INTO TOPCAP ONLY

COMPRESSION VALVING:
820-03-544-KIT: 2018 FIT4 F-S Compression Valving Assy, E18
820-03-522-KIT: 2017 FIT4 SC Compression Valving Assy, VC49

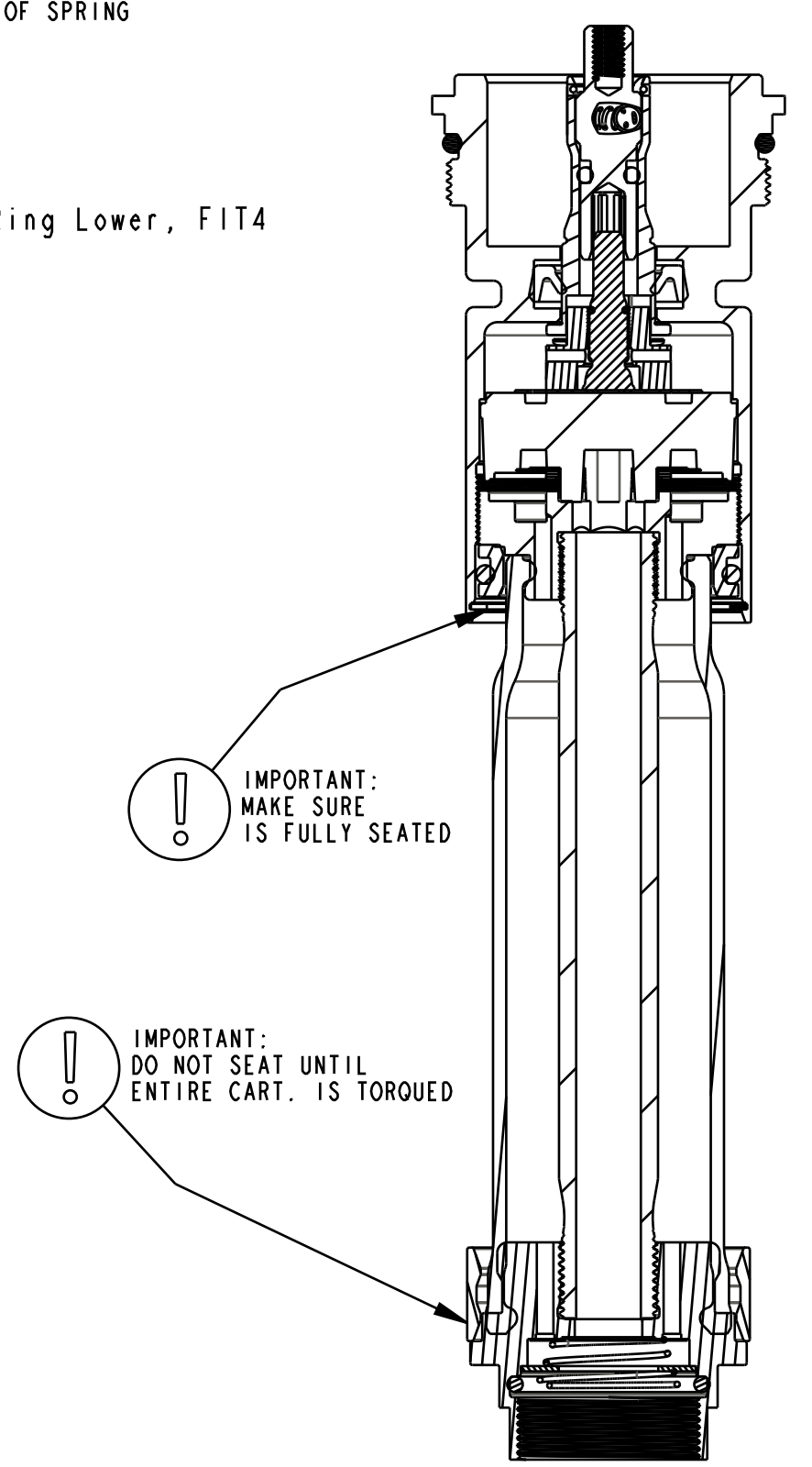
TOPCAP PARTS:
820-03-537-KIT: 2018 FIT4 F-S Top Cap Parts, Remote, U-Cup, Push-Lock
820-03-532-KIT: 2018 FIT4 F-S Top Cap Parts, Remote, U-Cup
820-03-540-KIT: 2018 FIT4 F-S Top Cap Parts, Remote, U-Cup, Push-Unlock

TORQUE:
55±5 IN.LB.

036-01-093
Seals: U-cup, Low Friction, 9mm Shaft

029-03-022-A
Seals: O-Ring [(-022) .070 C.S. X 0.989 ID] Standard, N-70, Static

Body, Topcap, 32, Fit4 Remote, U-Cup



IMPORTANT:
MAKE SURE
IS FULLY SEATED

IMPORTANT:
DO NOT SEAT UNTIL
ENTIRE CART. IS TORQUED

SECTION A-A
SCALE 1.500

PROPRIETARY
THIS DOCUMENT CONTAINS CONFIDENTIAL, PROPRIETARY INFORMATION
THAT IS FOX PROPERTY. DO NOT DISCLOSE TO OR DUPLICATE
FOR OTHERS EXCEPT AS AUTHORIZED BY FOX.

FOX Factory, Inc. Ph 831-768-1100
130 Hangar Way, Watsonville, CA 95076 USA Fax 831-768-9312

TITLE
**2018 32mm F-S FIT4 Remote
Topcap Assemblies**

SIZE DWG. NO.
C

PLOT SCALE | .00 : 1 | SHEET | OF | 1