

Seals: O-Ring [16.5mm ID X 1.5mm CS] Metric, N-70, Static
 029-08-059
 039-00-205 Spring, Comp. Check
 044-06-060 Valve: [.600 X .252 X .006]
 040-20-066 Valve: [0.660 OD X 0.377 ID X 0.020 TH]

210-22-877 Reflow Cap, FIT 4
 OIL: THIN LAYER OF FOX MX5 DAMPER OIL
 210-22-887 Bladder Seal Ring Lower, FIT4
 TORQUE: 55±5 IN.LB.
 210-22-303 Bladder, 010 RL_RLC

038-00-063 RING: INTERNAL SMALLY (VH-100-S02)

GREASE: THIN LAYER OF SLICK HONEY

210-22-997 Compression Piston Clamp, FIT4

GREASE: THIN LAYER OF SLICK HONEY

210-22-996 Shaft: Coupler, 0.375" OD X 0.254" ID, 7075-T6, FIT4

029-03-020 O-Ring (-020) [.070 C.S. X .864 ID]

210-22-886 Bladder Seal Ring Upper, FIT4

TORQUE: 75±5 IN.LB. COMPRESSION CLAMP INTO TOPCAP ONLY

COMPRESSION VALVING ASSEMBLIES:
 820-03-460-KIT: 2016 FIT4 F-S Compression Valving Assy
 820-03-544-KIT: 2018 FIT4 F-S Compression Valving Assy, E18

820-03-462-KIT 2016 FIT4 F-S Top Cap Parts

029-03-022-A Seals: O-Ring [(-022) .070 C.S. X 0.989 ID] Standard, N-70, Static

TOPCAP BODY

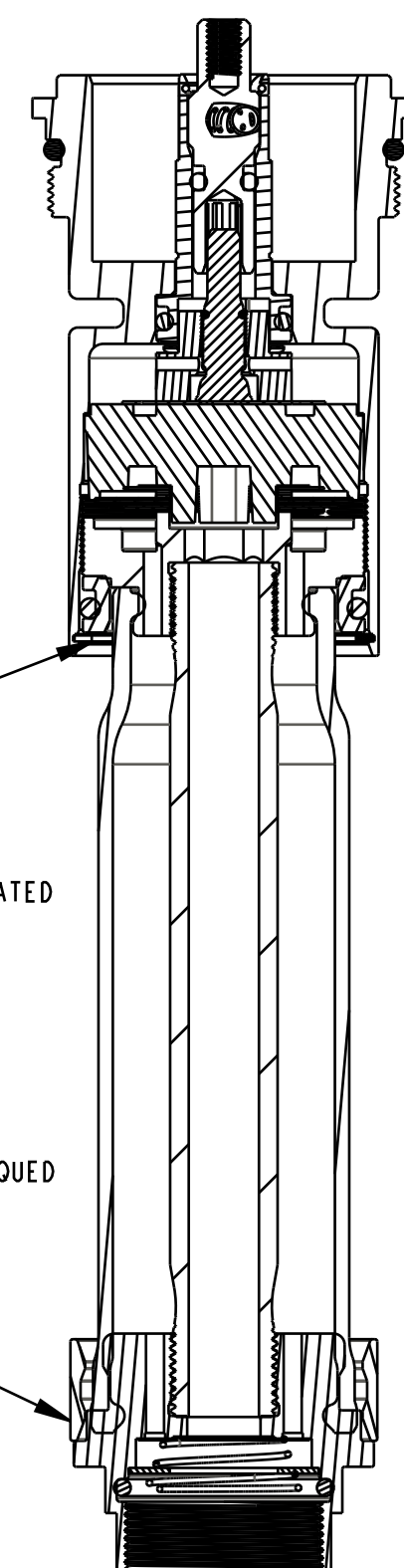
TORQUE: 55±5 IN.LB.

GREASE: THIN LAYER OF SLICK HONEY

IMPORTANT: NOTE ORIENTATION OF SPRING

IMPORTANT: MAKE SURE IS FULLY SEATED

IMPORTANT: DO NOT SEAT UNTIL ENTIRE CART. IS TORQUED



SECTION A-A
 SCALE 1.500

PROPRIETARY - THIS DOCUMENT CONTAINS CONFIDENTIAL, PROPRIETARY INFORMATION THAT IS FOX PROPERTY. DO NOT DISCLOSE TO OR DUPLICATE FOR OTHERS EXCEPT AS AUTHORIZED BY FOX.

FOX Factory, Inc. Ph 831-768-1100
 130 Hangar Way, Watsonville, CA 95076 USA Fax 831-768-9312

TITLE
2018 32mm F-S FIT4 Topcap Assemblies

SIZE DWG. NO.
C
 PLOT SCALE | .00:1 | SHEET 1 OF 1