

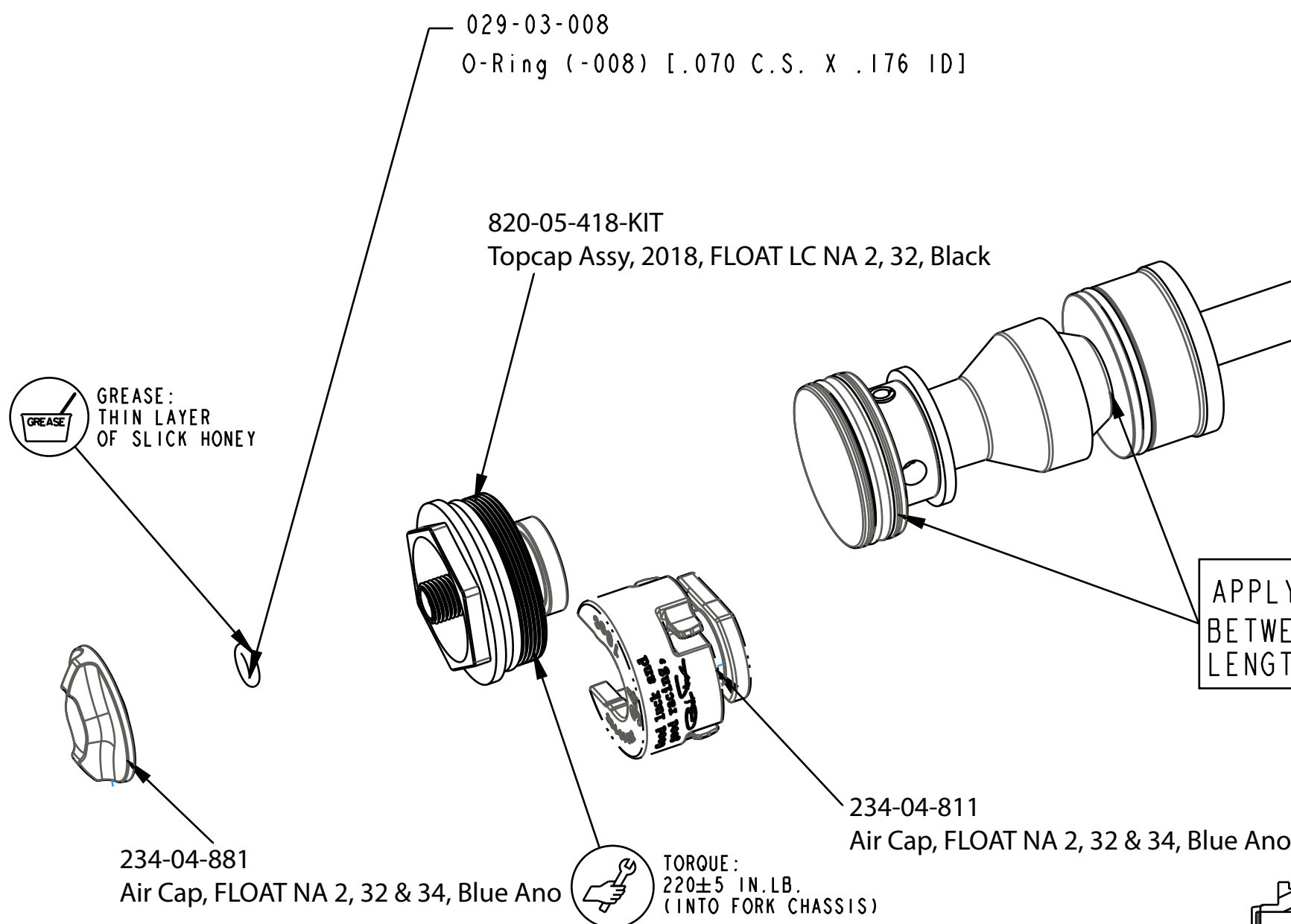
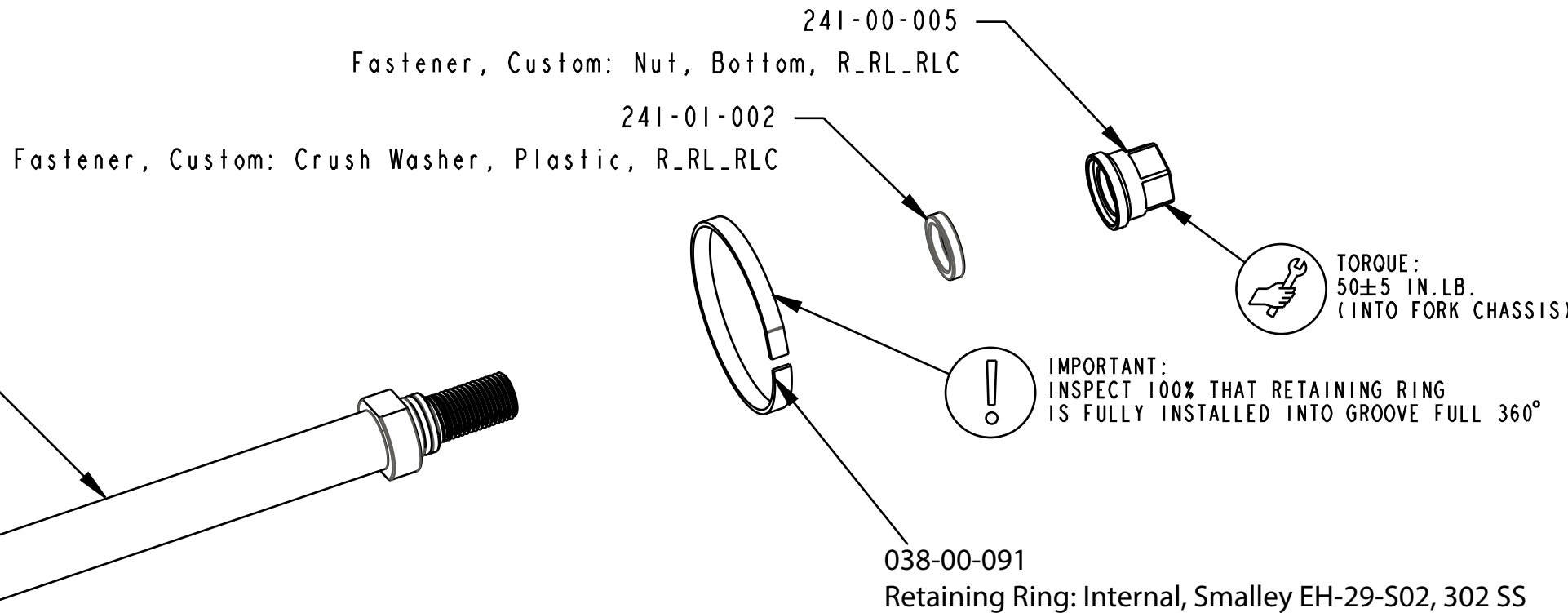
4

3

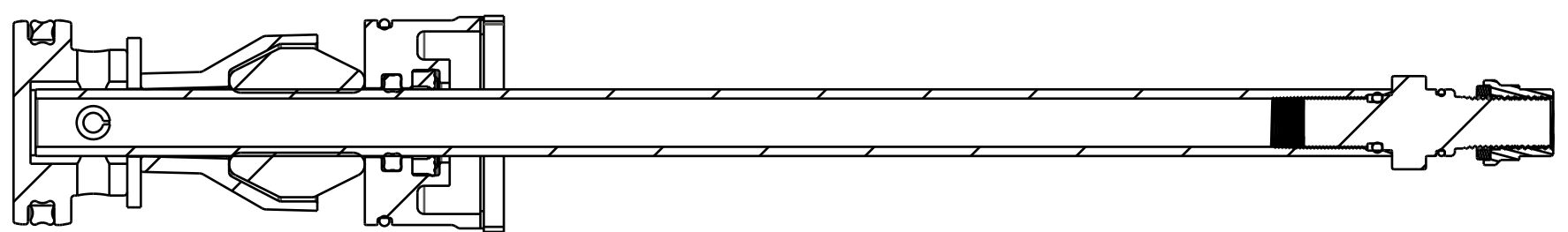
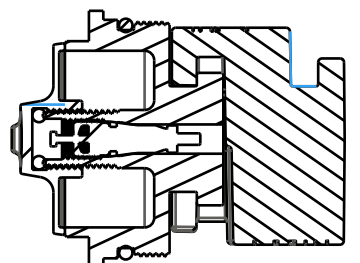
2

1

AIR SHAFT ASSEMBLIES:
 820-02-422-KIT: Air Shaft Assy, 2018, 32, 26in & 27.5in 100mm, FLOAT LC NA 2, 1.110 Bore
 820-02-423-KIT: Air Shaft Assy, 2018, 32, 26in & 27.5in 110mm, 29in 80mm, FLOAT LC NA 2, 1.110 Bore
 820-02-424-KIT: Air Shaft Assy, 2018, 32, 26in & 27.5in 120mm, 29in 90mm, FLOAT LC NA 2, 1.110 Bore
 820-02-425-KIT: Air Shaft Assy, 2018, 32, 29in 100mm, FLOAT LC NA 2, 1.110 Bore
 820-02-427-KIT: Air Shaft Assy, 2018, 32, 29in 120mm, FLOAT LC NA 2, 1.110 Bore
 820-02-416-KIT: Air Shaft Assy, 2018, 32, 26in & 27.5 130mm, FLOAT LC NA 2, 1.110 Bore
 820-02-417-KIT: Air Shaft Assy, 2018, 32, 26in & 27.5 140mm, FLOAT LC NA 2, 1.110 Bore
 820-02-418-KIT: Air Shaft Assy, 2018, 32, 26in & 27.5 150mm, FLOAT LC NA 2, 1.110 Bore



APPLY GREASE AROUND PISTON, ON AIR SHAFT, BETWEEN BUMPER AND NEG PLATE, AND A THIN LAYER ON ENTIRE LENGTH OF PISTON BORE OF UPPER TUBE ID.



FOX Factory, Inc.
 130 Hangar Way, Watsonville, CA 95076 USA
 Ph 831-768-1100 Fax 831-768-9312

TITLE
2019 32mm FLOAT Air Spring Assemblies

SIZE DWG. NO.
C

PLOT SCALE | .00:1 | SHEET 1 OF 1

- PROPRIETARY -
 THIS DOCUMENT CONTAINS CONFIDENTIAL, PROPRIETARY INFORMATION THAT IS FOX PROPERTY. DO NOT DISCLOSE TO OR DUPLICATE FOR OTHERS EXCEPT AS AUTHORIZED BY FOX.

4

3

2

1

Pr oE ASSEM