

4

3

2

1

D

D

C

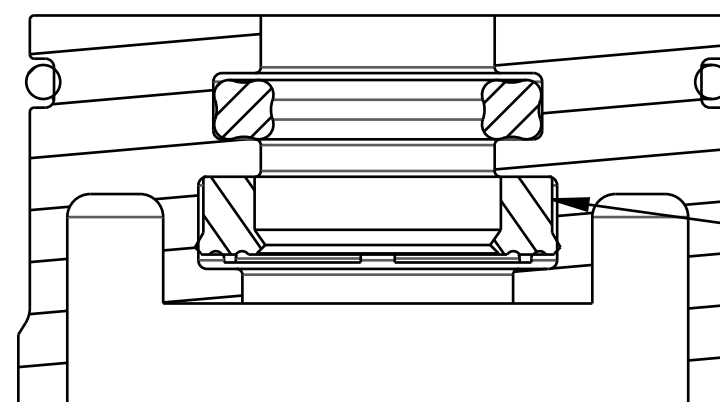
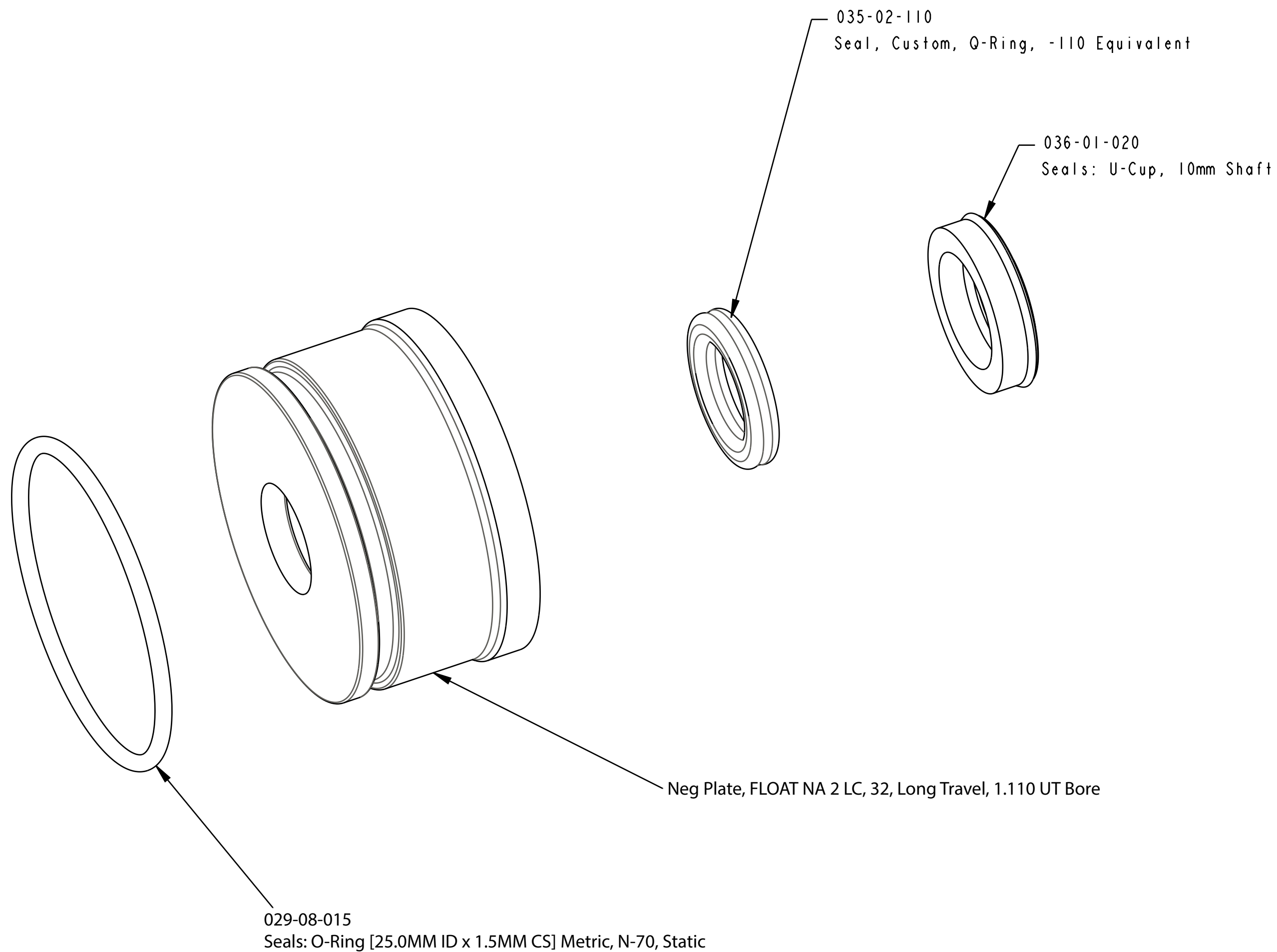
C

B

B

A

A



! IMPORTANT:  
NOTE ORIENTATION  
OF U-CUP SEAL

**FOX** **FOX Factory, Inc.** Ph 831-768-1100  
130 Hangar Way, Watsonville, CA 95076 USA Fax 831-768-9312

TITLE  
Neg Plate Subassembly, 2018  
FLOAT LC NA 2, 32, Long Travel, 1.110 Bore

SIZE DWG. NO.  
**C** 820-02-411-KIT

PLOT SCALE 3.00:1 SHEET 1 OF 1

- PROPRIETARY -  
THIS DOCUMENT CONTAINS CONFIDENTIAL, PROPRIETARY INFORMATION  
THAT IS FOX PROPERTY. DO NOT DISCLOSE TO OR DUPLICATE  
FOR OTHERS EXCEPT AS AUTHORIZED BY FOX.

4

3

2

1