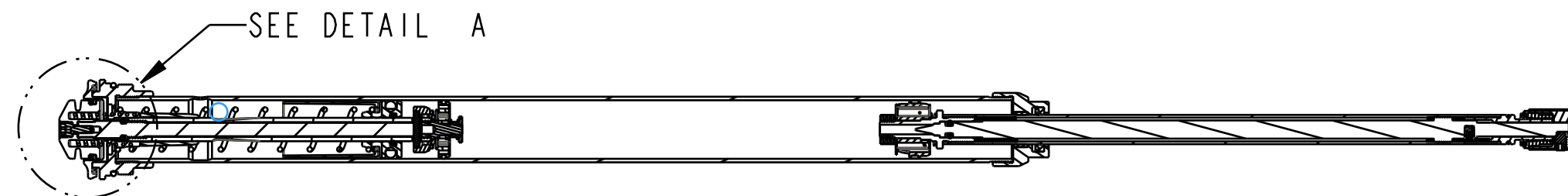


4

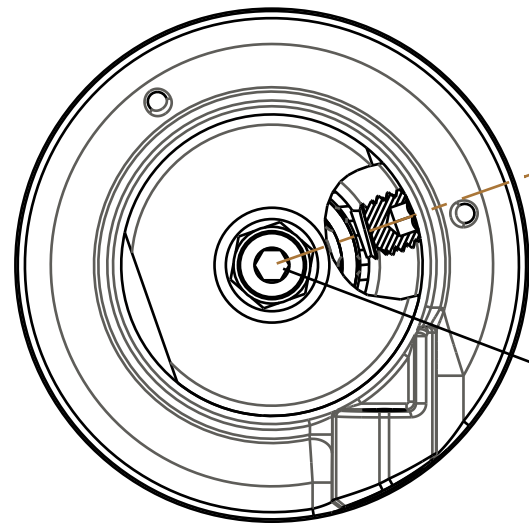
3

2

1



SECTION A-A
SCALE 0.500



SECTION C-C

WHEN LOCKED OUT, SET SCREW MUST BE 20°-60° FROM CABLE BOSS (AT 6 IN-LB).

REFERENCE ONLY
(FOR INSTALLATION
INTO FORK)

TORQUE:
150±7
(IN-LB)

018-01-004-A
Fastener, Standard: Screw [#8-32 X 0.250 TLG]

LOCTITE:
BLUE 242 OF 243
ONE DROP

TORQUE:
5.0±0.5 IN.LB.

210-03-178
Knob, Rebound, 2-Stroke, Knurled, M10 Nut

241-00-022
Fastener, Custom: Nut, Bottom, 011

820-05-518-KIT
2019 36 Grip Bottom Stud Interface Parts

241-01-011
Fastener, Custom: Crush Washer, Plastic, 13mm

TORQUE: NEEDLE TO 3.5±.25 IN-LB
BEFORE INSTALLING REMOTE ASSEMBLY
TORQUE TO 1.5 IN-LB FOR CARTRIDGE DYNO

820-05-445-KIT
2018 Grip Remote, Topcap Interface Parts

210-24-285
Cable Pulley Remote, Grip

CARTRIDGE ASSY

TORQUE:
220±5 IN.LB.

REFERENCE ONLY
(FOR INSTALLATION
INTO FORK)

REMOTE HOUSING MUST BE ROTATED A FULL 360° CCW
AFTER INSTALLING TO ACHIEVE PROPER PRELOAD ON
TORSION SPRING.

210-24-259
Damping Adjust Part: Housing, Remote, Hubless, FIT4

039-00-404
Spring: Torsion, Remote, 2018 Grip

TORQUE:
6±1 IN.LB.

GREASE:
THIN LAYER BLUE MARINE GREASE
ID AND OD

036-01-044
Seals: U-Cup, Shore 70A, 2013 CTD-ADJ, Remote Fit-CTD and Remote O/C-CTD

019-01-140
Fastener: Custom (Metric): Socket Set Screw [M4 x .7mm x 3mm], SST, Patchlock

019-01-115
Fastener Standard (Metric): Screw, Socket Head, M2.5 X 8

PROPRIETARY
THIS DOCUMENT CONTAINS CONFIDENTIAL, PROPRIETARY INFORMATION
THAT IS FOX PROPERTY. DO NOT DISCLOSE TO OR DUPLICATE
FOR OTHERS EXCEPT AS AUTHORIZED BY FOX.

FOX FOX Factory, Inc. Ph 831-768-1100
130 Hangar Way, Watsonville, CA 95076 USA Fax 831-768-9312

TITLE
2019 36 P-S 27.5 & 29 180 MAX
P-S Grip Remote Cart Assy Complete

SIZE DWG. NO.
C 820-18-090-KIT

PLOT SCALE 0.75 SHEET 1 OF 1

4

3

2

1

ProE ASSEM