

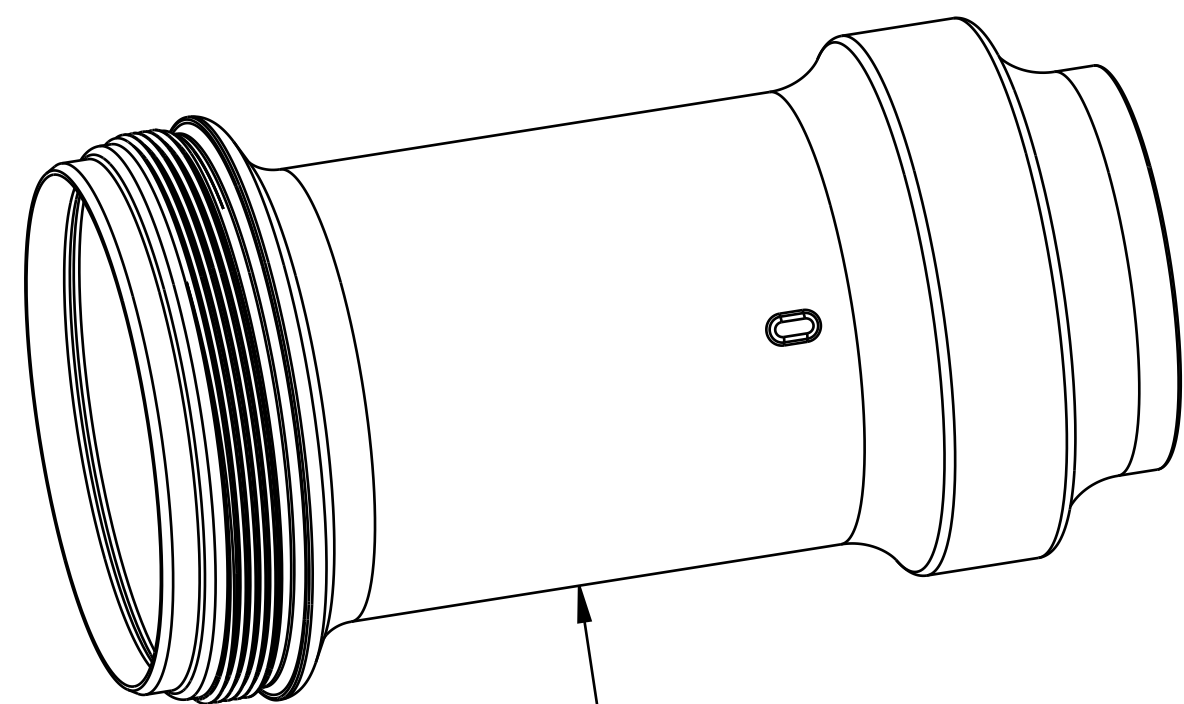
4

3

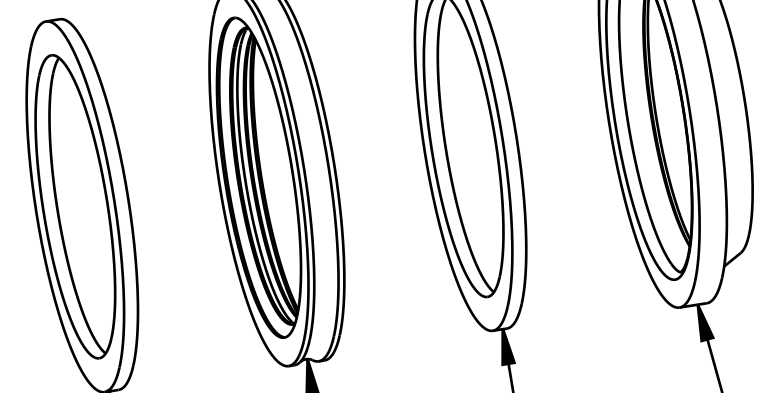
2

1

ALL AIR SLEEVE SEALS PRESENT IN KIT: 803-00-142



Sleeve, 2018, SV, Metric, EVOL, Kashima, 190 X 40/45

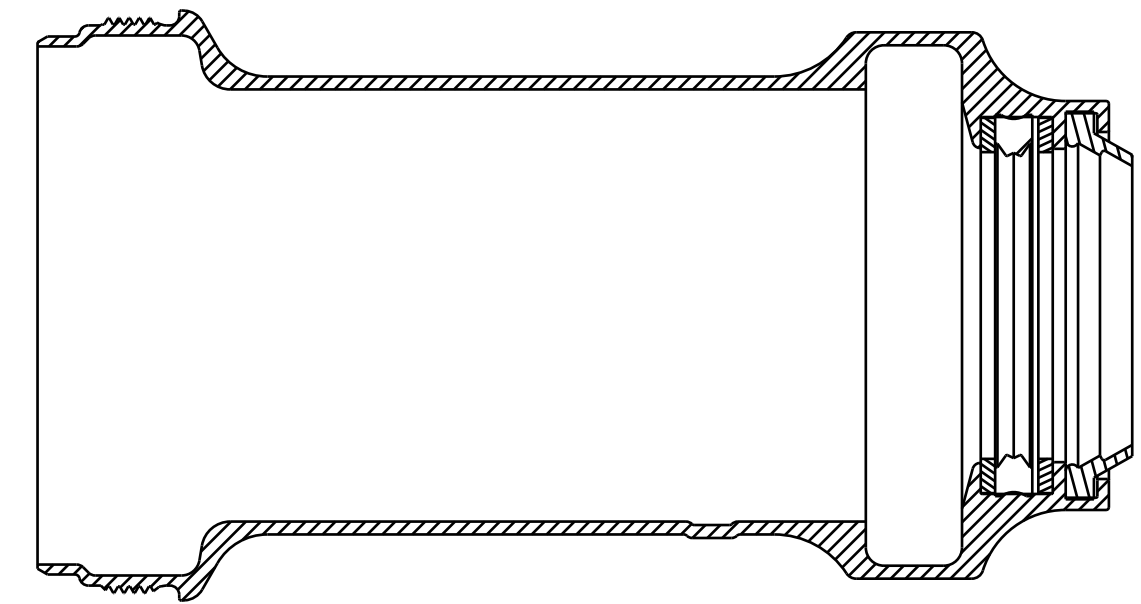


Wiper, Samurai [Ø 1.060 Shaft]

Bearing: Back Up Ring [Ø 1.060 Shaft]

Seal: Chevron, FLOAT Body [Ø 1.060 Shaft]

Bearing: Back Up Ring [Ø 1.060 Shaft]



FOX **FOX Factory, Inc.** Ph 831-768-1100
 130 Hangar Way, Watsonville, CA 95076 USA Fax 831-768-9312

TITLE
**Sleeve Assembly: 2018, 1.500 Bore,
 SV-Metric, EVOL, Kashima, 190 X 40/45**

SIZE DWG. NO.
C | 806-29-650-KIT

PLOT SCALE 2:1 SHEET 1 OF 1

- PROPRIETARY -
 THIS DOCUMENT CONTAINS CONFIDENTIAL, PROPRIETARY INFORMATION
 THAT IS FOX PROPERTY. DO NOT DISCLOSE TO OR DUPLICATE
 FOR OTHERS EXCEPT AS AUTHORIZED BY FOX.

4

3

2

1

ProE ASSEM