

4

3

2

1

D

D

C

C

B

B

A

A

TOPCAP ASSEMBLIES:
 820-05-600-KIT: 2020 36 E-Bike+ FIT4 F-S Topcap Assy, Remote, U-Cup, 2 Position, Push-Lock
 820-05-601-KIT: 2020 36 E-Bike+ FIT4 F-S Topcap Assy, Remote, U-Cup, 2 Position, Push-Unlock
 820-05-602-KIT: 2020 36 E-Bike+ FIT4 F-S Topcap Assy, Remote, U-Cup, 3 Position

038-01-073
 Retaining Ring: Wire [.280 OD X .024 CS] SS

210-22-920
 Compression Adjust Coupler, F-S, FIT4

 TORQUE:
 55±5 IN LBS

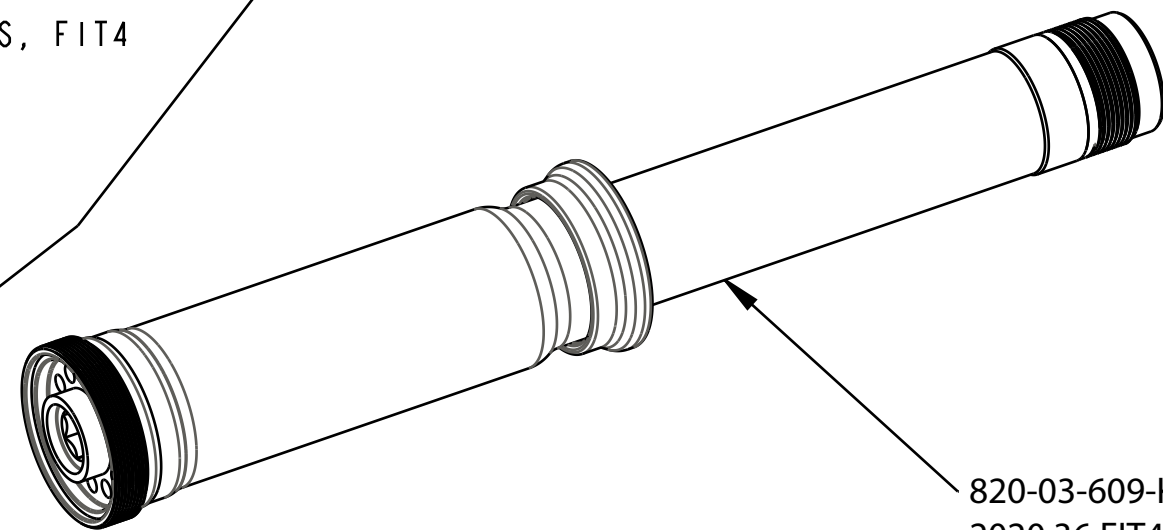
029-08-068
 Seals: O-Ring [3.0MM ID x 1.5MM CS] Metric, N-70, Static

039-00-243
 Spring: Detent [.138 TLG, .087 OD, 48 lb/in]

010-01-012
 Ball [Ø.1094]

 GREASE:
 THIN LAYER OF
 SLICK HONEY ON BALL

ASSEMBLE THESE PARTS AFTER OIL FILL

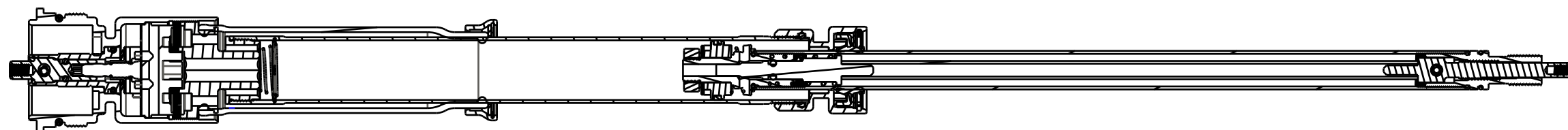


820-03-609-KIT
 2020 36 FIT4 8mm, Bladder Assy



820-03-606-KIT
 2020 36 FIT4 8mm Damper Shaft Assy

 TORQUE:
 55±5 IN LBS



SECTION A-A
 SCALE 0.750

PROPRIETARY
 THIS DOCUMENT CONTAINS CONFIDENTIAL, PROPRIETARY INFORMATION
 THAT IS FOX PROPERTY. DO NOT DISCLOSE TO OR DUPLICATE
 FOR OTHERS EXCEPT AS AUTHORIZED BY FOX.

 **FOX Factory, Inc.** Ph 831-768-1100
 130 Hangar Way, Watsonville, CA 95076 USA Fax 831-768-9312

TITLE
**2020 36 E-Bike+ FIT4 F-S
 Remote Cartridge Assemblies**

SIZE DWG. NO.

C

PLOT SCALE 1.0:1

SHEET 1 OF 1

4

3

2

1

ProE ASSEM