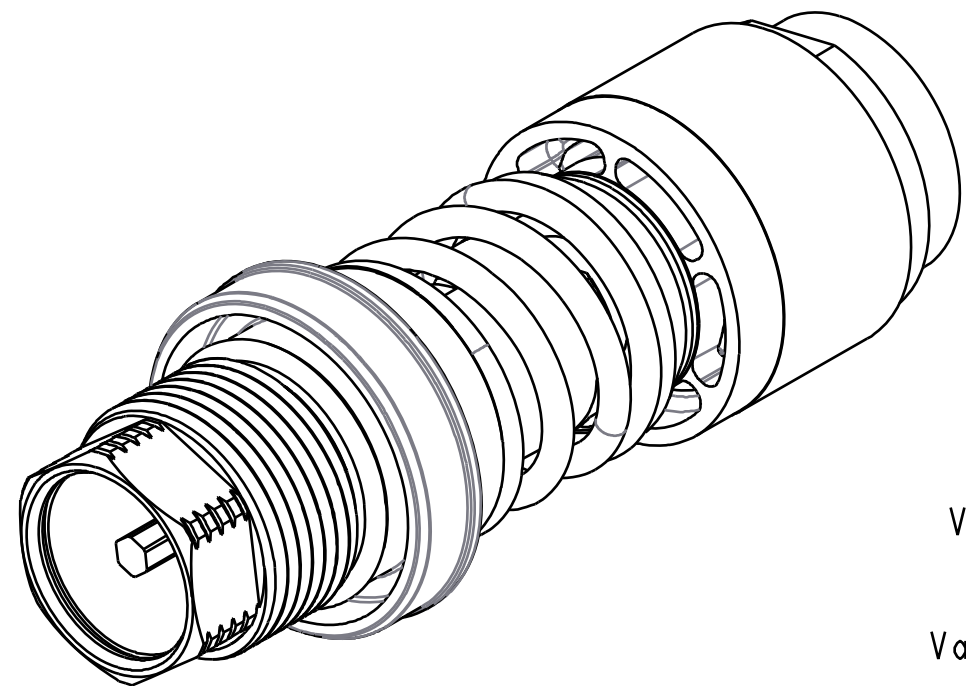


4

3

2

1



- 045-00-029 Valve: Metric [16.6mm OD X 7mm ID X 0.10mm TH]
- 045-00-066 Valve: Metric [14.5mm OD X 7mm ID X 0.10mm TH]
- 045-00-067 Valve: Metric [13.5mm OD X 7mm ID X 0.10mm TH]
- 045-00-070 Valve: Metric [9.6mm OD x 7mm ID x 0.25mm TH]

! IMPORTANT:
VERIFY 100% THAT CHECK SHIM
IS NOT PINCHED

TORQUE:
75±5 IN.LB.

TORQUE:
50±5 IN.LB.

210-22-448
Compression Bolt, NBO, 011 RC2

210-22-405
Coupler, 2011 RC2

039-00-168
Spring, Comp Check, 011 RC2

045-00-110
Valve: Metric [21.3MM OD X 13.6MM ID X 0.2MM TH]

222-01-176
Compression Bulkhead, 2011 RC2

! IMPORTANT:
DO NOT PINCH SHIMS
DURING ASSEMBLY

210-22-249
Preload Hat, 1 Piece, RC2

TORQUE:
50±5 IN.LB.

038-01-043
Spring: Detent Wire, LSC, 2011 RC2

210-22-094
Adjuster Screw, High-Speed Comp, RC2

210-22-414
Upper Stud, 011 36_40 RC2

029-08-035
O-Ring [17.0MM ID x 1.5MM CS]

039-00-065
Spring: Compression [0.625 TLG X 90 lbs/in] Music Wire, Ground, Gold Zinc

210-22-097
High-Speed Preloader, RC2

GREASE:
THIN LAYER
OF SLICK HONEY

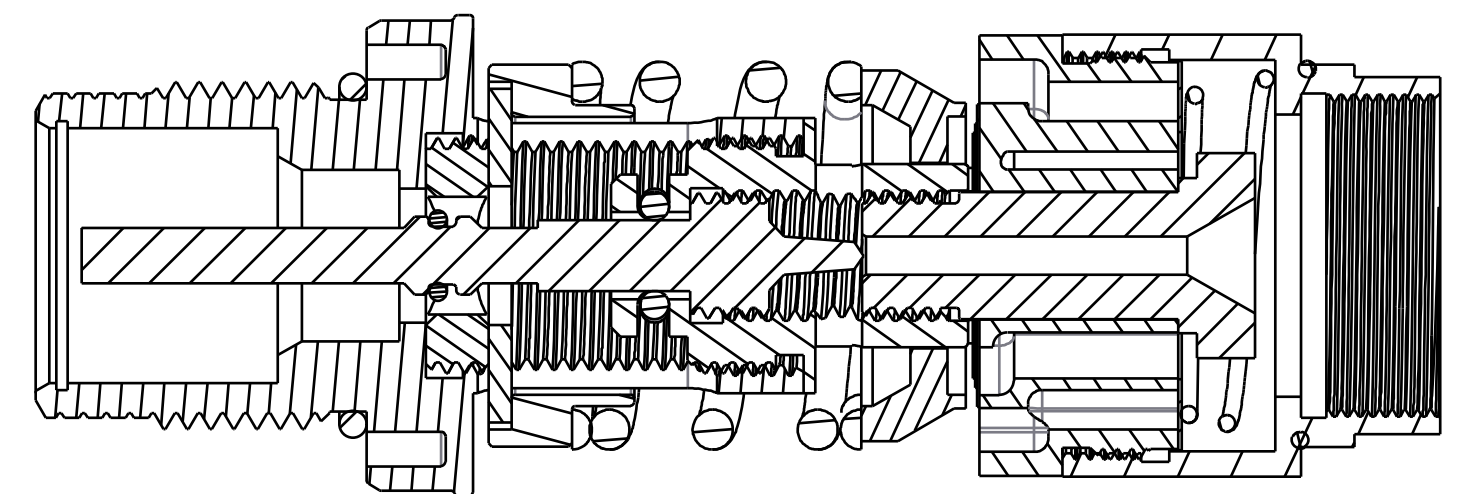
210-22-406
Adjuster, Compression, Low Speed, RC2, 0.081 Orifice

GREASE:
THIN LAYER
OF SLICK HONEY

029-08-004
O-Ring [3.0MM ID x 1.0MM CS]

210-10-064
LSC Coupler, 011 RC2

222-01-065
Plate, Preload, RC2



FOX FOX Factory, Inc. Ph 831-768-1100
130 Hangar Way, Watsonville, CA 95076 USA Fax 831-768-9312

TITLE
**BASE VALVE ASSY,
2011 RC2 NBO**

SIZE DWG. NO.
C 820-03-177-KIT

PLOT SCALE 0.75:1 SHEET 1 OF 1

PROPRIETARY
THIS DOCUMENT CONTAINS CONFIDENTIAL, PROPRIETARY INFORMATION
THAT IS FOX PROPERTY. DO NOT DISCLOSE TO OR DUPLICATE
FOR OTHERS EXCEPT AS AUTHORIZED BY FOX.

4

3

2

1

ProE ASSEM