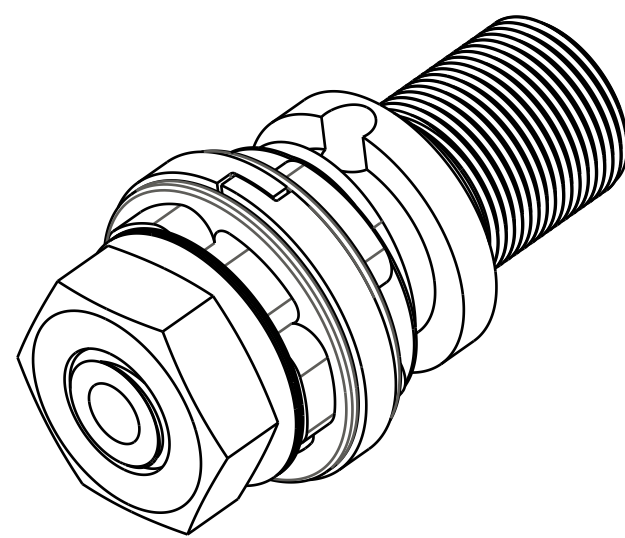


4

3

2

1



210-22-881
Shaft Stud, FIT4

039-00-120
Spring: Rebound Check, 09 36_40

IMPORTANT:
ORIENT SPRING SO CLOSED
END FACES SHAFT STUD

GREASE:
THIN LAYER
OF SLICK HONEY

002-02-011
Glide Ring, 04 Slim R_RL_RLC_X

210-10-105
Piston: Rebound, Kidney, 35/65 Flow

029-08-029
Seals: O-Ring [7.0MM ID x 1.0MM CS] Metric, N-70, Static

045-00-035
Valve: Metric [13.0mm OD X 8.1mm ID X 0.15mm TH]

045-00-149
Valve: Metric [8.0mm OD X 6.40mm ID X 0.152mm TH]

044-20-035
Valve: [.350 OD X .252 ID X .020 TH]

IMPORTANT:
NOTE PISTON
ORIENTATION

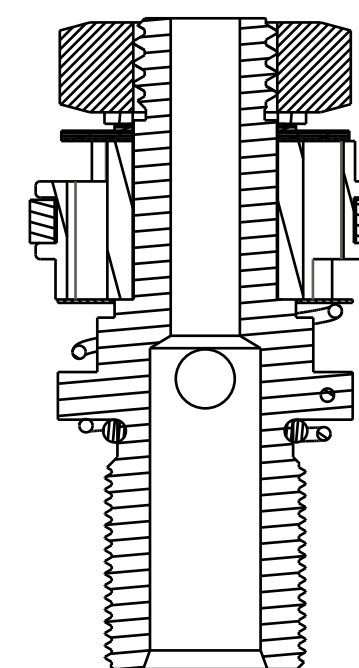
044-04-050
Valve: [.500 OD X .252 ID X .0045 TH]

018-00-012
Nut [1/4-28 X 5/32 TLG]

(045-00-149)

(044-04-050)

TORQUE:
HAND TIGHT



PROPRIETARY
THIS DOCUMENT CONTAINS CONFIDENTIAL, PROPRIETARY INFORMATION
THAT IS FOX PROPERTY. DO NOT DISCLOSE TO OR DUPLICATE
FOR OTHERS EXCEPT AS AUTHORIZED BY FOX.

FOX Factory, Inc. Ph 831-768-1100
130 Hangar Way, Watsonville, CA 95076 USA Fax 831-768-9312

TITLE
**2016 RC2
Rebound Piston Assy**

SIZE DWG. NO.
C 820-03-321-KIT

PLOT SCALE 3.00:1

SHEET 1 OF 1

4

3

2

ProE ASSEM