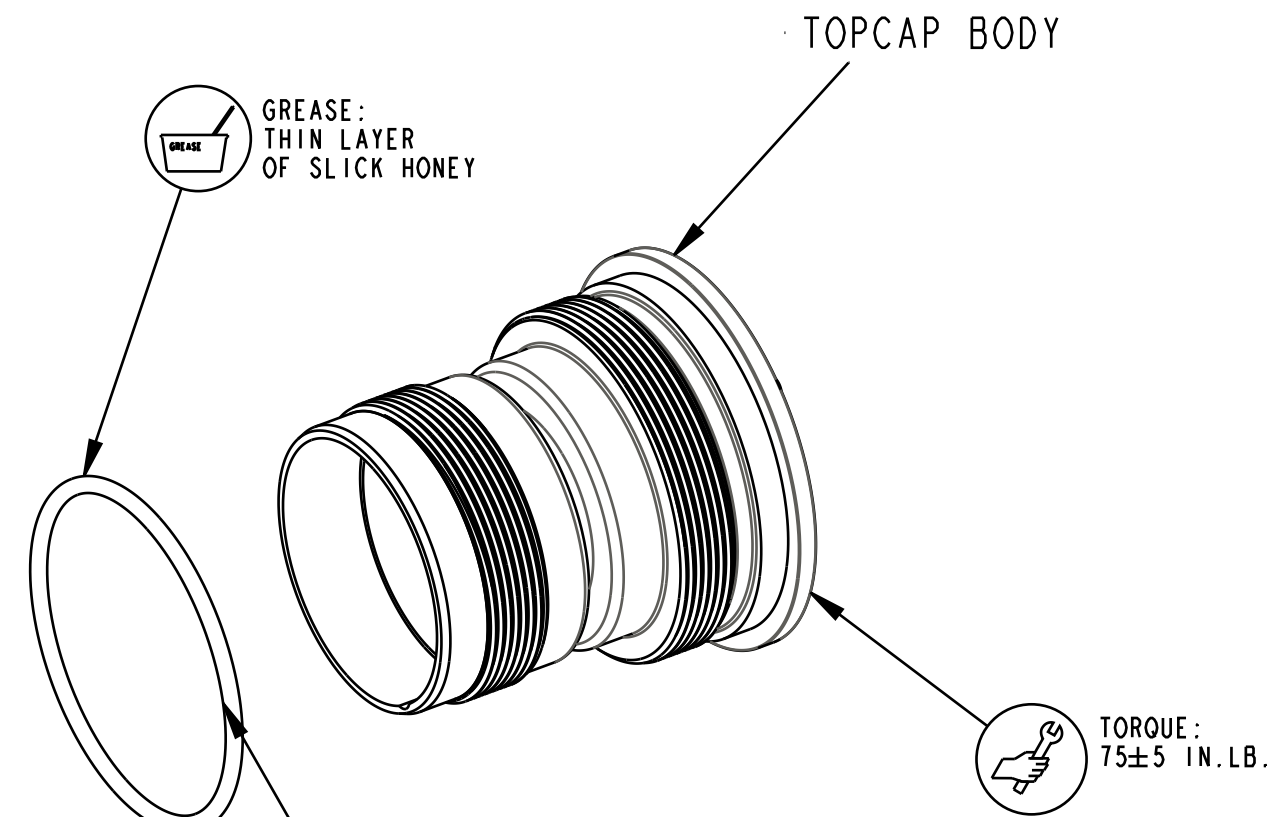
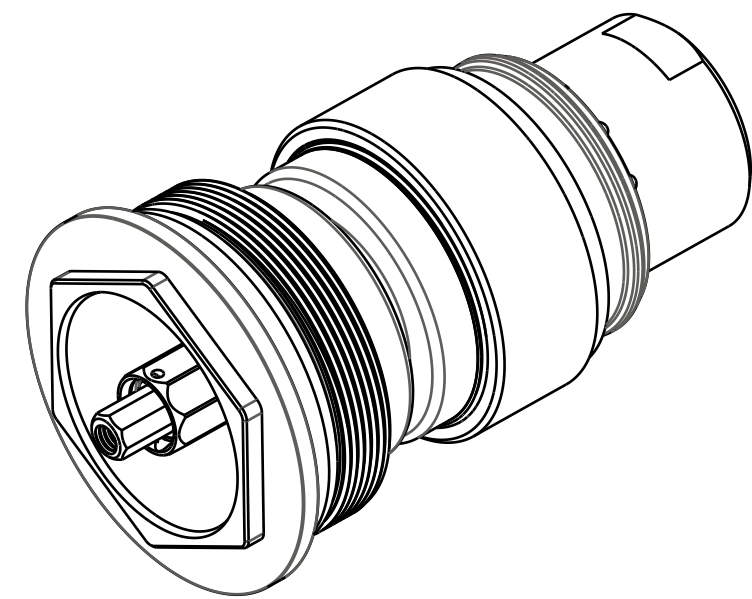


4

3

2

1



210-22-926
Compression Clamp, FIT4, 36

TORQUE: 75±5 IN.LB.

GREASE: THIN LAYER OF SLICK HONEY

044-06-060
Valve: [.600 X .252 X .066]

039-00-205
Spring, Comp. Check

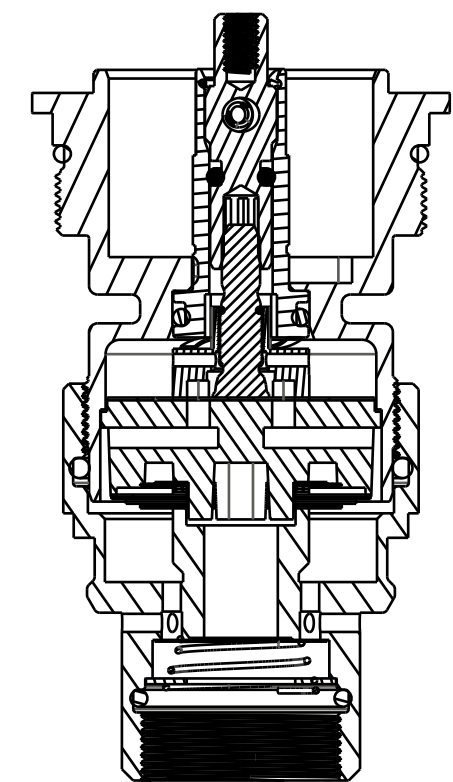
040-20-066
Valve: [0.660 OD X 0.377 ID X 0.020 TH]

029-08-059
Seals: O-Ring [16.5mm ID X 1.5mm CS] Metric, N-70, Static

820-03-463-KIT
TOPCAP COMPRESSION PARTS

820-03-461-KIT
COMPRESSION VALVING ASSY

029-03-023
Seals: O-Ring [(-023) .070 C.S. X 1.051 ID] Standard, N-70, Static



PROPRIETARY - THIS DOCUMENT CONTAINS CONFIDENTIAL, PROPRIETARY INFORMATION THAT IS FOX PROPERTY. DO NOT DISCLOSE TO OR DUPLICATE FOR OTHERS EXCEPT AS AUTHORIZED BY FOX.

FOX Factory, Inc. Ph 831-768-1100
130 Hangar Way, Watsonville, CA 95076 USA Fax 831-768-9312

TITLE
**2016 36
FIT4 Topcap**

SIZE DWG. NO.
C 820-05-341-KIT

PLOT SCALE | .50:1 | SHEET 1 OF 1

ProE ASSEM

4

3

2

1