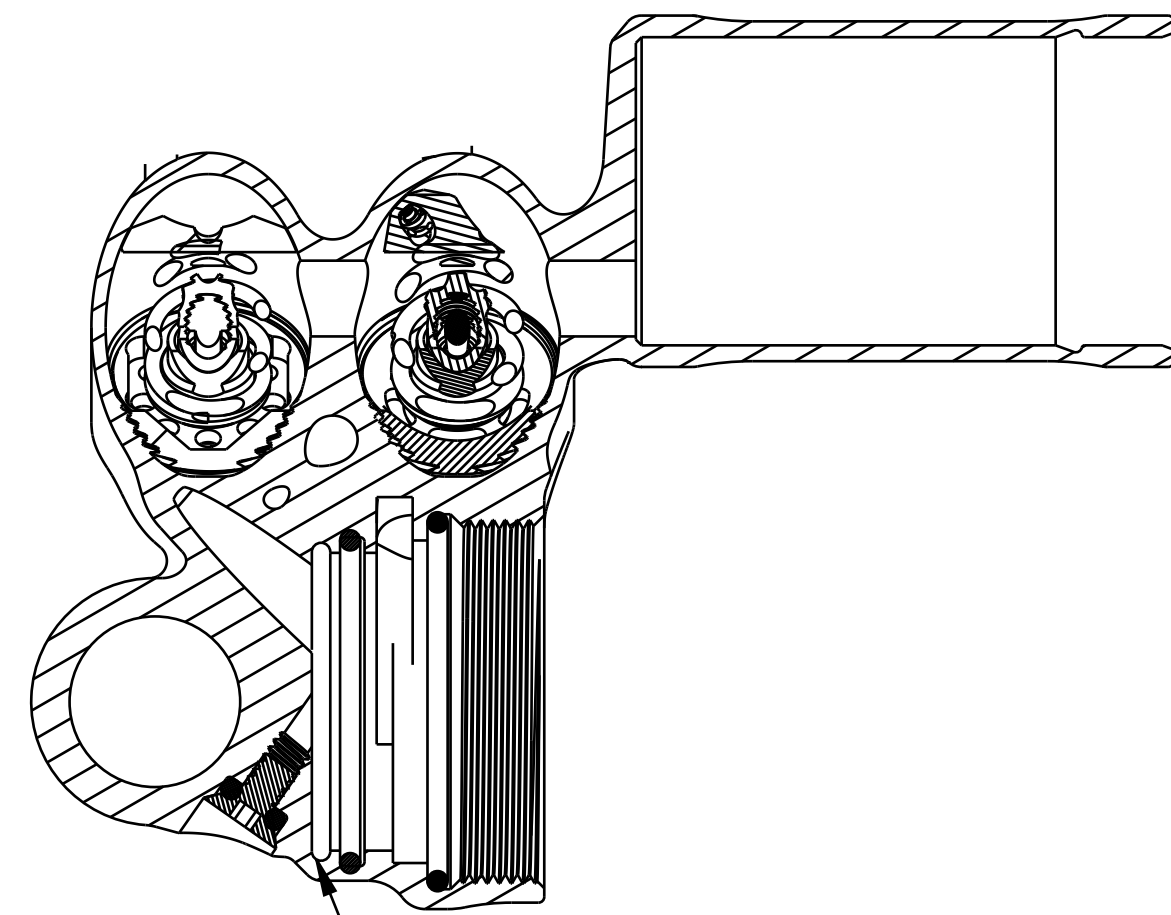
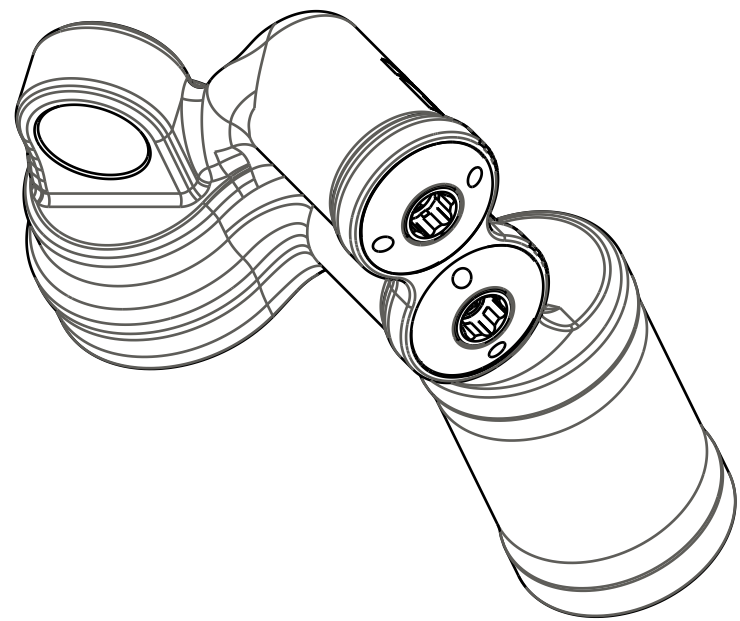


4

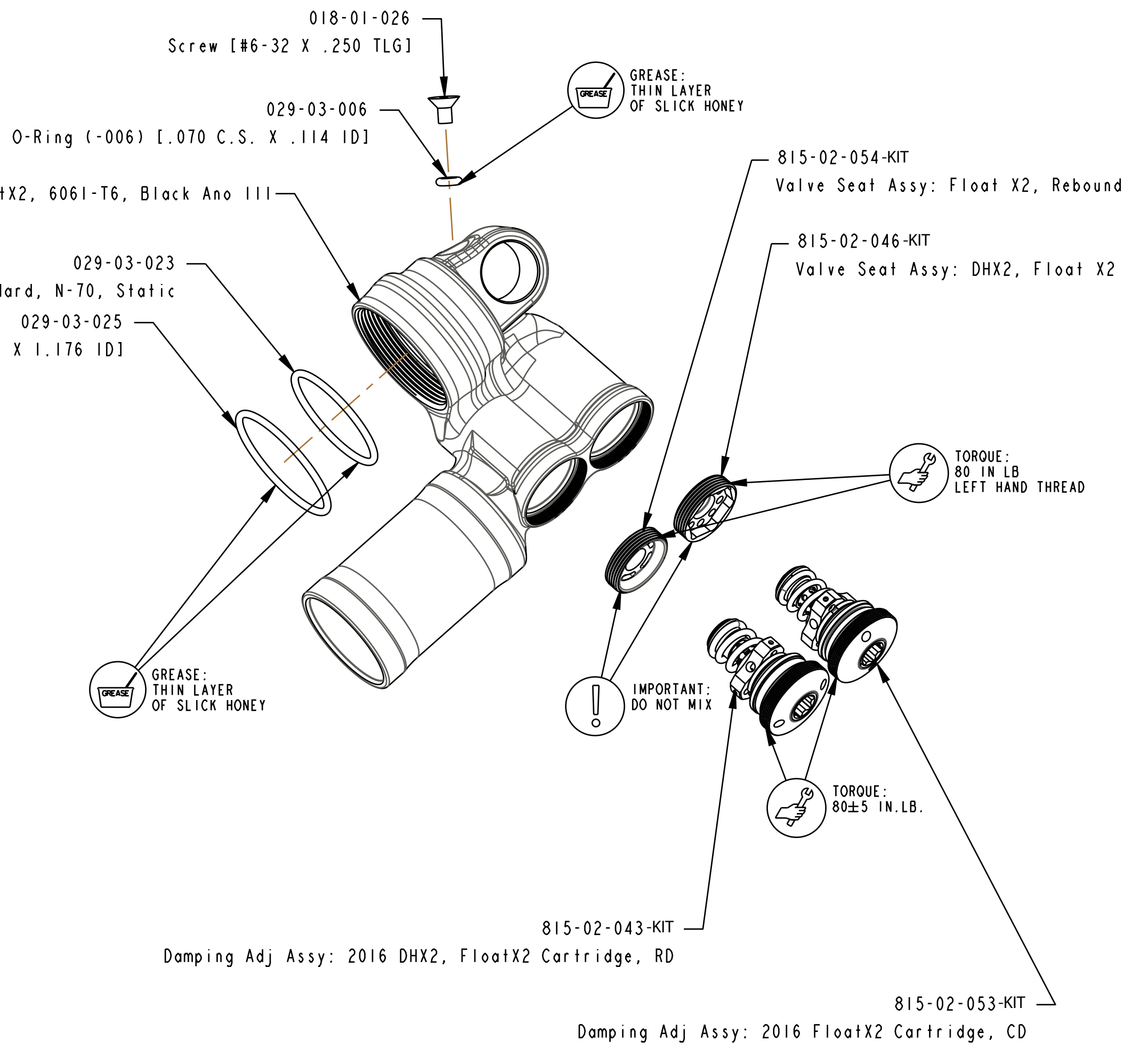
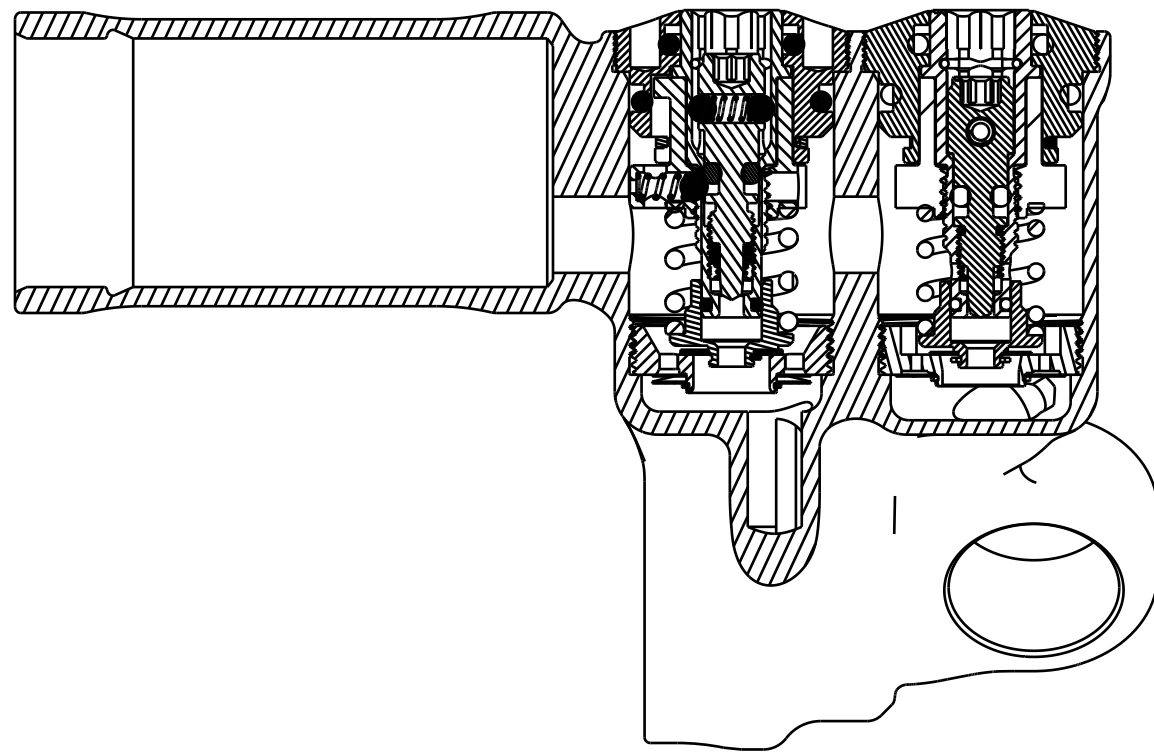
3

2

1



! IMPORTANT:
DO NOT INSTALL O-RING
IN STRAIN RELIEF



- PROPRIETARY -
THIS DOCUMENT CONTAINS CONFIDENTIAL, PROPRIETARY INFORMATION
THAT IS FOX PROPERTY. DO NOT DISCLOSE TO OR DUPLICATE
FOR OTHERS EXCEPT AS AUTHORIZED BY FOX.

		FOX Factory, Inc.	Ph 831-768-1100
		130 Hangar Way, Watsonville, CA 95076 USA	Fax 831-768-9312
TITLE	Eyelet Assy: 2016 FloatX2		
SIZE	DWG. NO.	808-17-232-KIT	
C	PLOT SCALE .00:1		SHEET OF 1