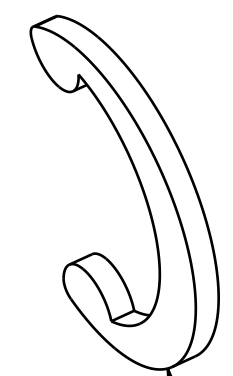
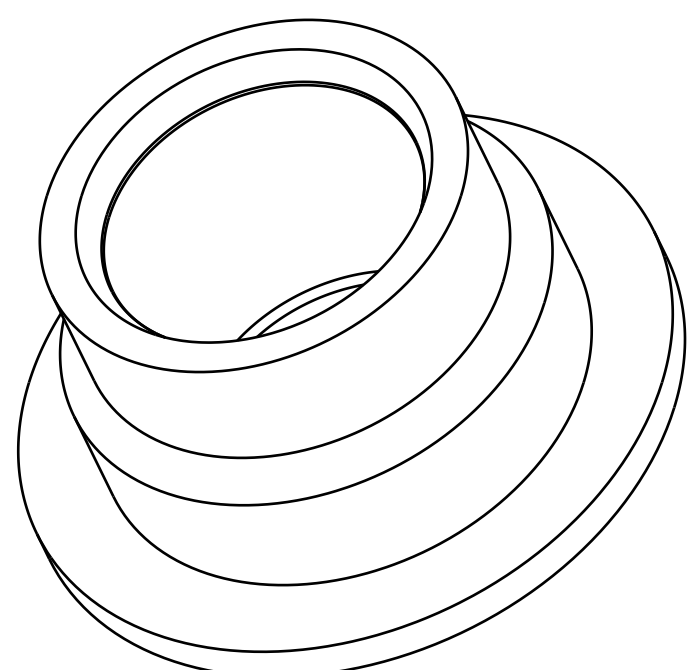


4

3

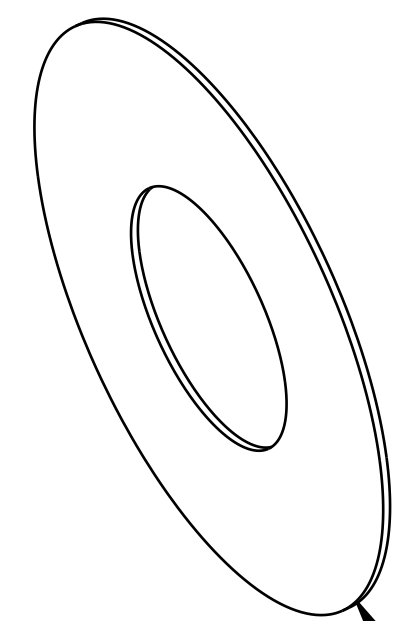
2

1



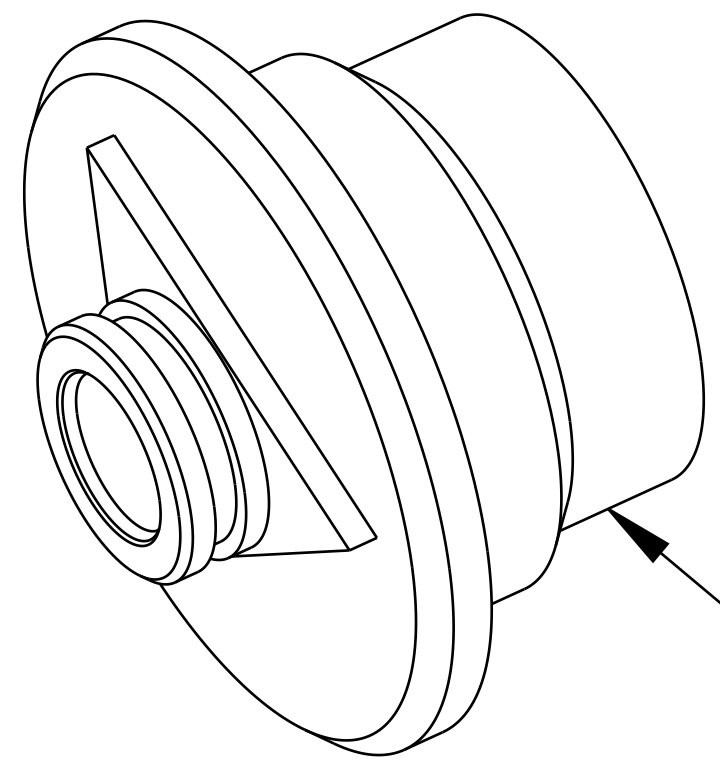
038-00-128

Retaining Ring: McMaster 98808A310



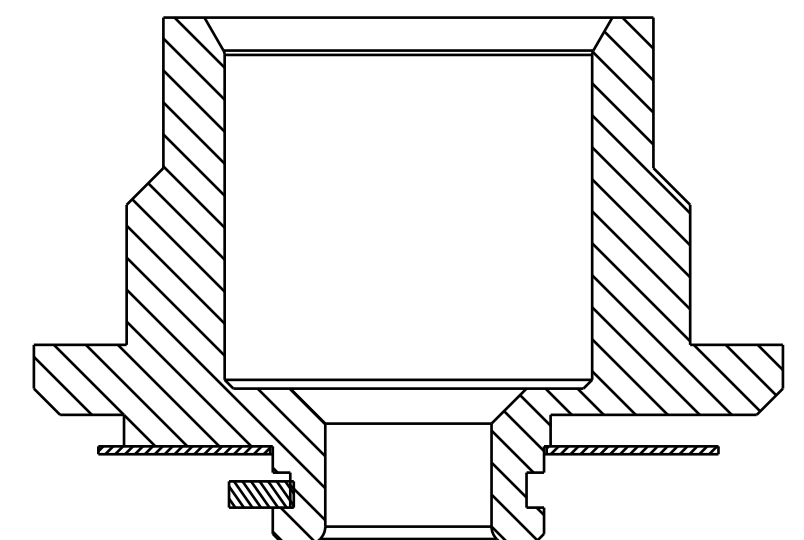
045-00-057

Valve: Metric, [9MM OD X 4MM ID X .1MM TH]



210-22-912

Triangle Rod, Hermy, Base Valve, DHX2, FloatX2



SECTION A-A

FOX		FOX Factory, Inc.		Ph 831-768-1100
		130 Hangar Way, Watsonville, CA 95076 USA		Fax 831-768-9312
TITLE		Damping Adj Assy: 2016 DHX2, FloatX2 Poppet, CD		
SIZE	DWG. NO.	815-02-044-KIT		
C				
PLOT SCALE 5.00:1		SHEET 1 OF 1		

PROPRIETARY - THIS DOCUMENT CONTAINS CONFIDENTIAL, PROPRIETARY INFORMATION THAT IS FOX PROPERTY. DO NOT DISCLOSE TO OR DUPLICATE FOR OTHERS EXCEPT AS AUTHORIZED BY FOX.

4

3

2

1

ProE ASSEM