

234-04-429
Cap, Inner Travel Tube, TALAS 5

Seals: O-Ring [(-116) .103 C.S. X .737 ID] Dynamic, Low Friction

029-13-116

(029-08-148)

029-13-115

038-01-060

Retaining Ring: Wire [0.950 OD x 0.040 CS]

GREASE:
THIN LAYER OF SLICK HONEY
ON I.D. SEALING SURFACE

TORQUE:
75±5 IN.LB.

GREASE:
THIN LAYER
OF SLICK HONEY

234-04-610
INNER TRAVEL TUBE

GREASE:
THIN LAYER
OF SLICK HONEY

TORQUE:
75±5 IN.LB.

234-04-594

Coupler, Cartridge Tube, TALAS 5

GREASE:
THIN LAYER
OF SLICK HONEY

234-04-414
OUTER TRAVEL TUBE

GREASE:
THIN LAYER OF SLICK HONEY
ON O.D. SEALING SURFACE

234-04-492
IFP SHAFT

GREASE:
THIN LAYER
OF SLICK HONEY

029-03-024-A
TOPCAP O-RING

TOPCAP

GREASE:
THIN LAYER
OF SLICK HONEY

(039-00-284)

(010-01-000)

060-00-022

Pin: Dowel [Ø 0.078 X 0.375 TLG]

060-00-009

Pin: Dowel [Ø 0.125 X 0.375 TLG]

010-01-006

Ball [Ø 0.15625] Steel

039-00-035

Spring: [.280 TLG X .156 OD X 1.3 lbs/in] Stainless Steel

234-04-574
Bulkhead, TALAS 5

038-00-107

Retaining Ring: Internal, Smalley XAH-87, Stainless

Seals: O-Ring [(-110) .103 C.S. X .362 ID] Dynamic, Low Friction

029-13-110

Seals: O-Ring [(-008) .070 C.S. X .176 ID] Dynamic, Low Friction

029-13-008

234-04-417
IFP, TALAS 5

Seals: O-Ring [4.5MM ID x 1.5MM CS] Metric, N-70, Static

029-08-034

Seals: O-Ring [12.0MM ID x 1.0MM CS] Metric, N-70, Static

029-08-070

Seals: O-Ring [21.5MM ID x 1.5MM CS] Metric, N-70, Static

029-08-148

(029-08-034)

010-01-000
Ball [Ø 0.1250] Steel

Spring: [0.240 TLG x 0.124 OD x 3.6 lb/in]

039-00-284

234-04-411
Adjuster, TALAS 5

Check Spring Guide, TALAS 5

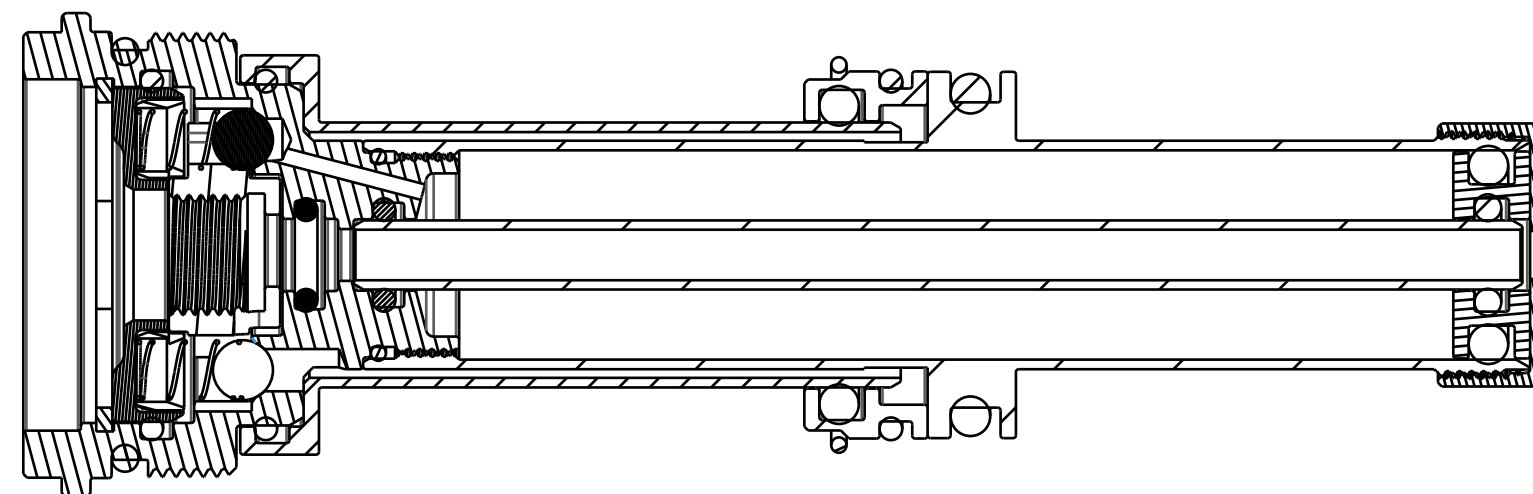
234-04-412

(010-01-006)

(039-00-035)

NOTE ORIENTATION
OF 234-04-411

SMALL END OF CAM
MUST BE BETWEEN
DOWEL PIN HOLES



PROPRIETARY
THIS DOCUMENT CONTAINS CONFIDENTIAL, PROPRIETARY INFORMATION
THAT IS FOX PROPERTY. DO NOT DISCLOSE TO OR DUPLICATE
FOR OTHERS EXCEPT AS AUTHORIZED BY FOX.

FOX FOX Factory, Inc. Ph 831-768-1100
130 Hangar Way, Watsonville, CA 95076 USA Fax 831-768-9312

TITLE
**2016 34mm, TALAS 5,
Topcap Assembly**

SIZE DWG. NO. **820-05-355-KIT**

PLOT SCALE 0.80:1 SHEET 1 OF 1