

4

3

2

1

D

D

C

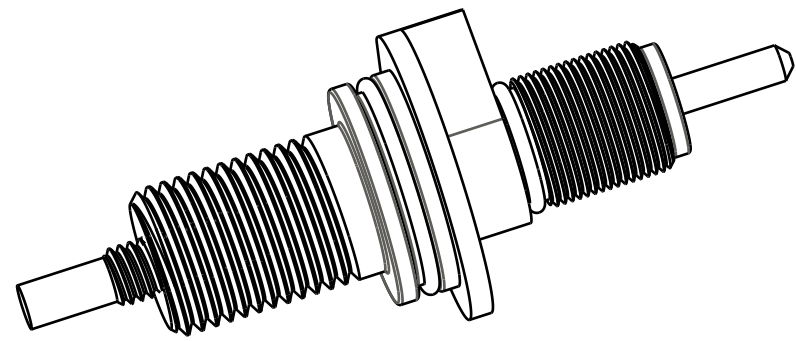
C

B

B

A

A



SCALE 2:1

029-08-004
Seals: O-Ring [3.0MM ID x 1.0MM CS] Metric, N-70, Static

029-08-029
Seals: O-Ring [7.0MM ID x 1.0MM CS] Metric, N-70, Static

210-22-423
Lower Damper Shaft Insert, 010 RL_RLC

GREASE:
THIN LAYER
OF SLICK HONEY

GREASE:
THIN LAYER
OF SLICK HONEY

GREASE:
THIN LAYER
OF SLICK HONEY

029-08-047
Seals: O-Ring [13.0MM ID x 1.0MM CS] Metric, N-70, Static

018-01-006
Screw, Set [#8-32 X .093 L] Cup Pt, Nylok

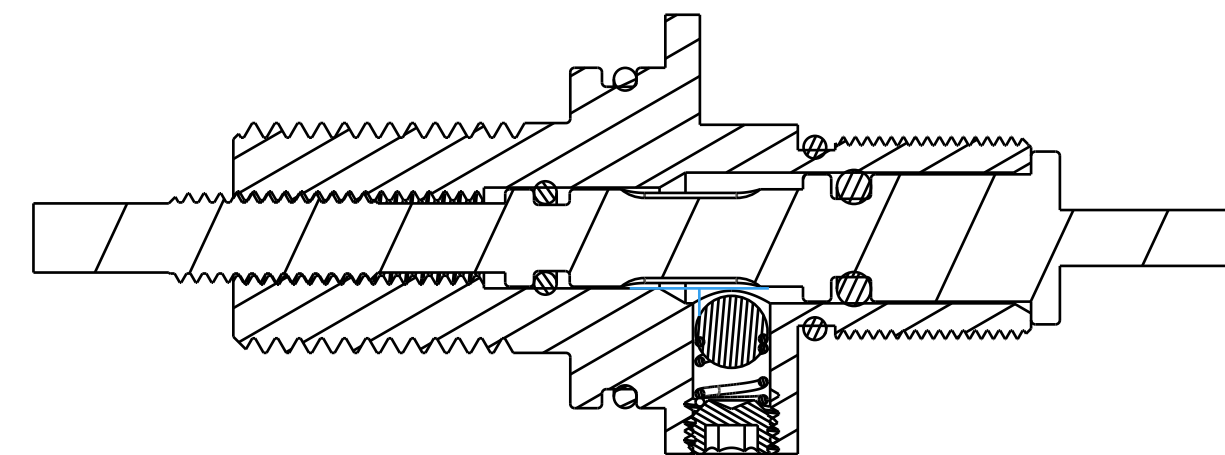
010-01-000
Ball [Ø 0.1250] Steel

039-00-029
Spring: [0.125 TLG X 0.125 OD X 50.00 lbs/in]

029-08-068
Seals: O-Ring [3.0MM ID x 1.5MM CS] Metric, N-70, Static

210-22-907
Rebound Adjuster Screw, 2015 RC2, 303SS

TIGHTEN UNTIL FLUSH



SECTION A-A

PROPRIETARY
THIS DOCUMENT CONTAINS CONFIDENTIAL, PROPRIETARY INFORMATION
THAT IS FOX PROPERTY. DO NOT DISCLOSE TO OR DUPLICATE
FOR OTHERS EXCEPT AS AUTHORIZED BY FOX.

		FOX Factory, Inc.	Ph 831-768-1100
		130 Hangar Way, Watsonville, CA 95076 USA	Fax 831-768-9312
TITLE			
2011 RC2			
REBOUND ADJUSTER ASSEMBLY			
SIZE	DWG. NO.	820-03-167-KIT	
C			
PLOT SCALE		3:1	SHEET 1 OF 1