

4

3

2

1

D

D

C

C

B

B

A

A

045-00-160
 Valve: Metric [17.35mm OD X 7mm ID X 0.15mm THK]

210-22-960
 Damping Adj Part: Piston Stud, 6mm

039-00-120
 Spring: Rebound Check, 09 36_40

* PISTON ORIENTATION IS CRITICAL
 SMALL PORTS FACE NUT

002-02-068
 Bearing, External: Glide Ring, Molded, Z-Cut, 20.0 Bore

222-01-294
 Piston, Damping, Rebound, PM, 18.5 Bore

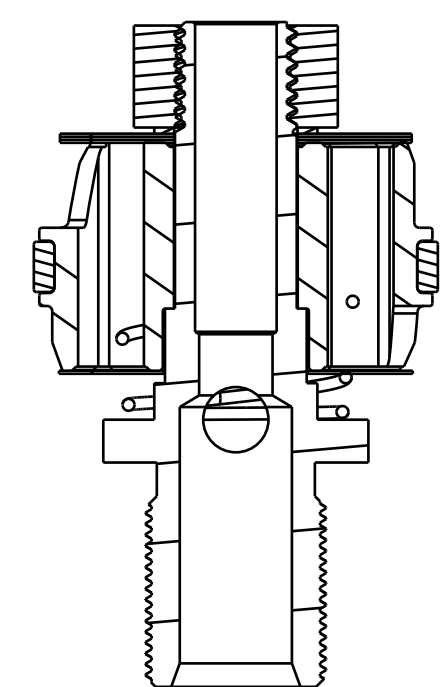
045-00-171
 Valve: Metric [17.25mm OD X 6mm ID X 0.15mm THK]

(045-00-171)

(045-00-171)

045-00-170
 Valve: Metric [8.00mm OD X 6mm ID X 0.30mm THK]

019-00-018
 Fastener, Standard (Metric), Nut, M6 x .75



SECTION A-A

- PROPRIETARY -
 THIS DOCUMENT CONTAINS CONFIDENTIAL, PROPRIETARY INFORMATION
 THAT IS FOX PROPERTY. DO NOT DISCLOSE TO OR DUPLICATE
 FOR OTHERS EXCEPT AS AUTHORIZED BY FOX.

FOX		FOX Factory, Inc.	Ph 831-768-1100
		130 Hangar Way, Watsonville, CA 95076 USA	Fax 831-768-9312
TITLE	Rebound Piston Assy, 2017 Grip		
SIZE	DWG. NO.	820-03-330-KIT	
C	PLOT SCALE 2.00:1		SHEET 1 OF 1

4

3

2

1

ProE ASSEM