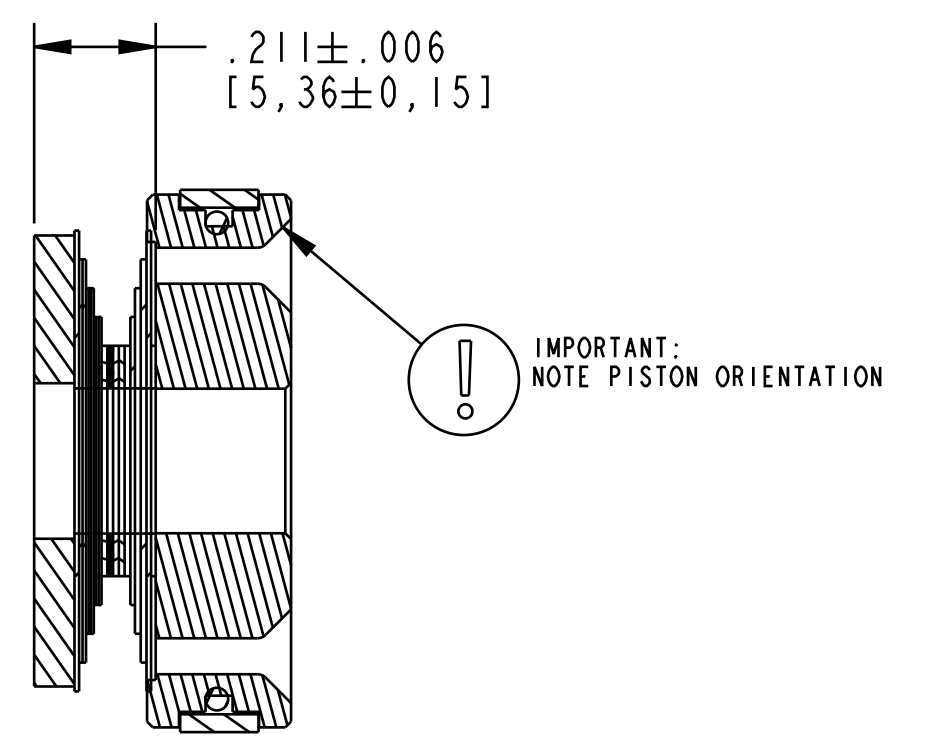


233-00-231
Spacer: Topout Plate [.250 ID X .783 OD X .070 THK] Steel



SECTION A-A
SCALE 3:1

- PROPRIETARY -
THIS DOCUMENT CONTAINS CONFIDENTIAL, PROPRIETARY INFORMATION
THAT IS FOX PROPERTY. DO NOT DISCLOSE TO OR DUPLICATE
FOR OTHERS EXCEPT AS AUTHORIZED BY FOX.

		FOX Factory, Inc.	Ph 831-768-1100
		130 Hangar Way, Watsonville, CA 95076 USA	Fax 831-768-9312
TITLE Piston Assembly: 2016 X2, CM/CL, .250 Post, .940 Bore			
SIZE C	DWG. NO. 805-00-090-KIT		
PLOT SCALE .60:1		SHEET OF 1	