

Bearing: Glide Ring, Blue Turcon  
002-02-009

Seals: O-Ring [20.0MM ID x 1.0MM CS] Metric, N-70, Static  
029-08-006

Piston: (T) 2014 Float BV [0.940 Bore, 3x .052 RD ports] 7075-T6, Non-Grained  
222-01-274

Valve: [.400in OD x .252in ID x .008in TH]  
044-08-040

Valve: [.800 OD X .252 ID X .008 TH]  
044-08-080

Valve: [.700 OD X .252 ID X .006 TH]  
044-06-070

Valve: [.600 OD X .252 ID X .0045 TH]  
044-04-060  
(044-06-070)

Valve: [.500 OD X .252 ID X .0045 TH]  
044-04-050  
(044-04-060)

(044-04-050)

Valve: [.400 OD X .252 ID X .010 TH]  
044-10-040  
(044-10-040)

Valve: [.500 OD X 0.252 ID X 0.008 TH]  
044-08-050

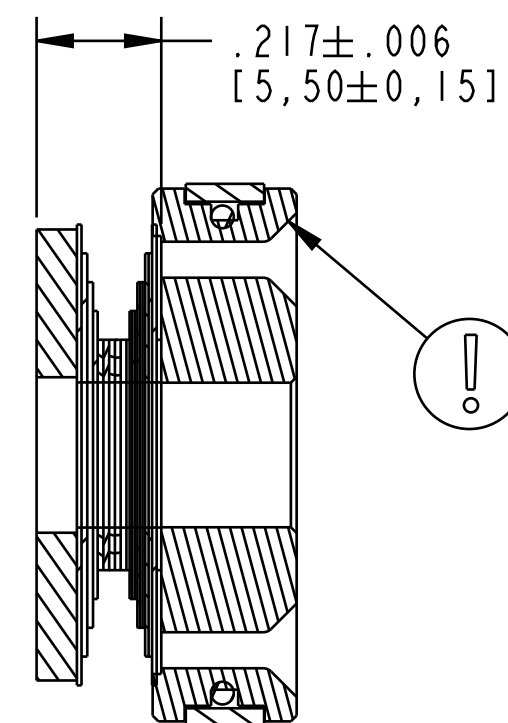
Valve: [.600 X .252 X .010]  
044-10-060

Valve: [.700 OD X .252 ID X .010 TH]  
044-10-070

(044-08-080)

Spacer: Topout Plate [.250 ID X .783 OD X .070 THK] Steel  
233-00-231

IMPORTANT:  
NOTE PISTON ORIENTATION



IMPORTANT:  
NOTE PISTON ORIENTATION

SECTION A-A  
SCALE 3:1

		<b>FOX Factory, Inc.</b>	Ph 831-768-1100
		130 Hangar Way, Watsonville, CA 95076 USA	Fax 831-768-9312
TITLE <b>Piston Assembly: 2016 X2, CL/CM, .250 Post, .940 Bore</b>			
SIZE DWG. NO. <b>C</b>		<b>805-00-093-KIT</b>	
PLOT SCALE   .60:1		SHEET   OF   1	

- PROPRIETARY -  
THIS DOCUMENT CONTAINS CONFIDENTIAL, PROPRIETARY INFORMATION  
THAT IS FOX PROPERTY. DO NOT DISCLOSE TO OR DUPLICATE  
FOR OTHERS EXCEPT AS AUTHORIZED BY FOX.