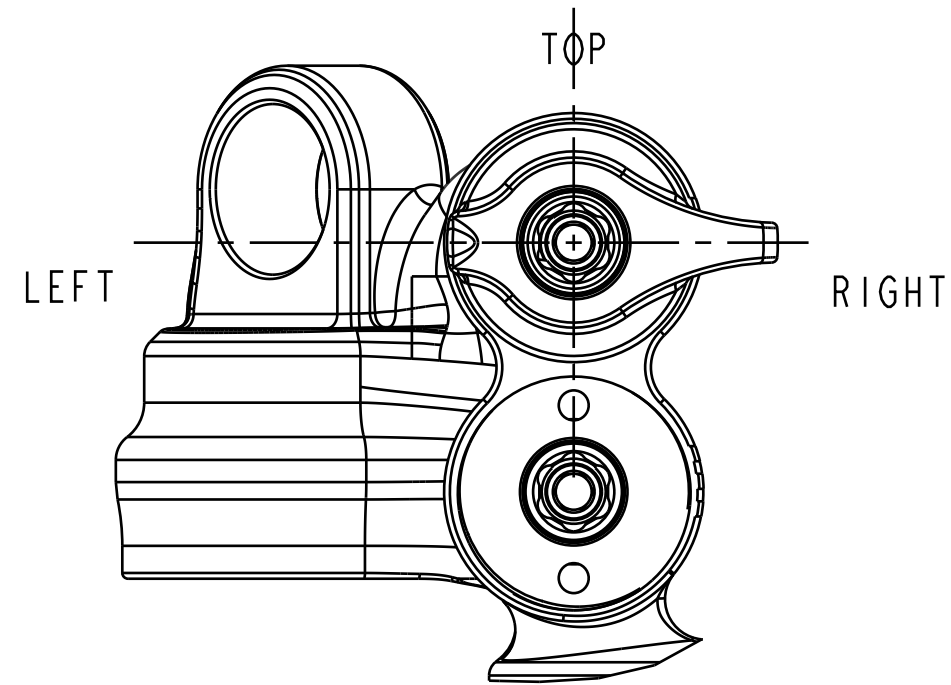
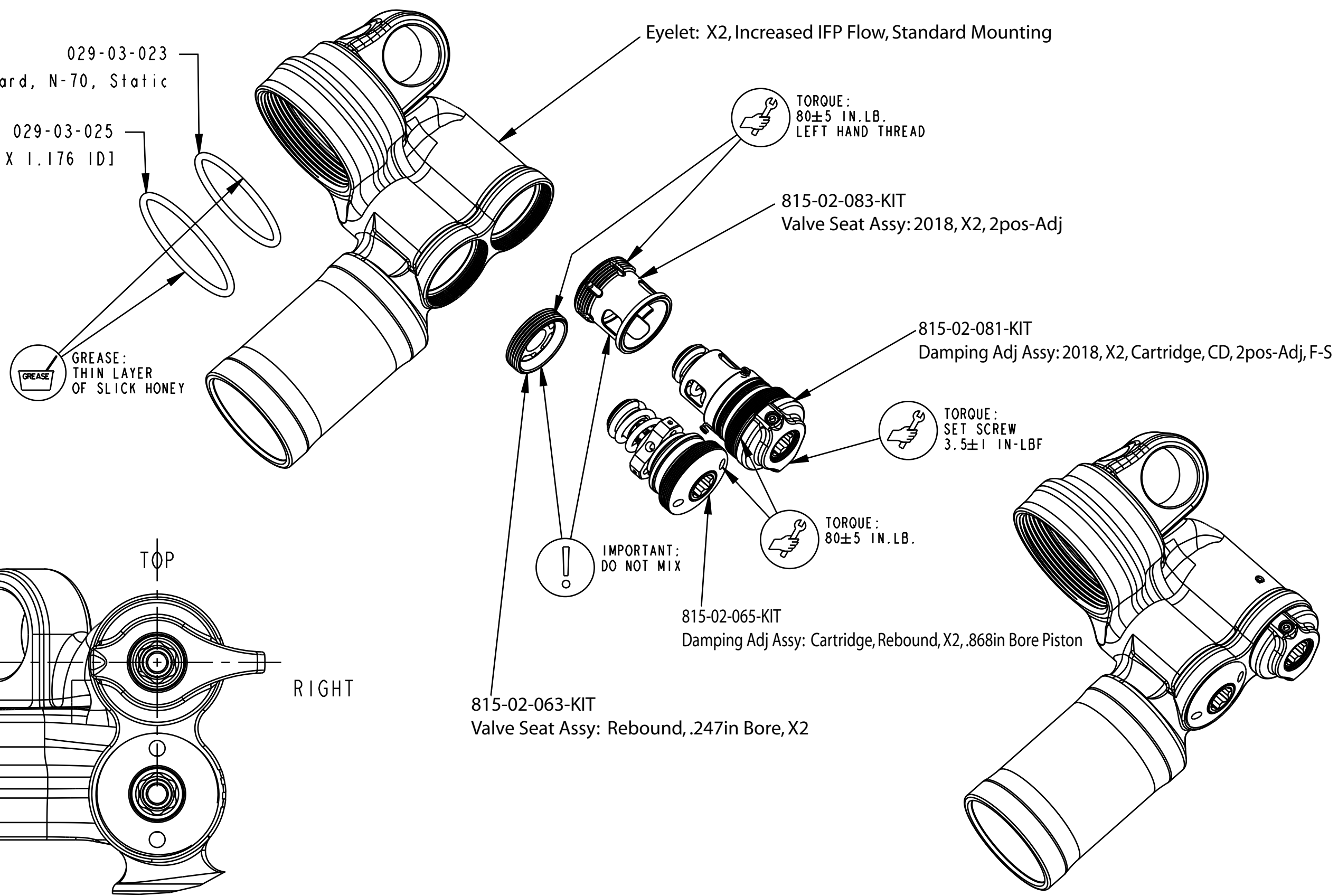
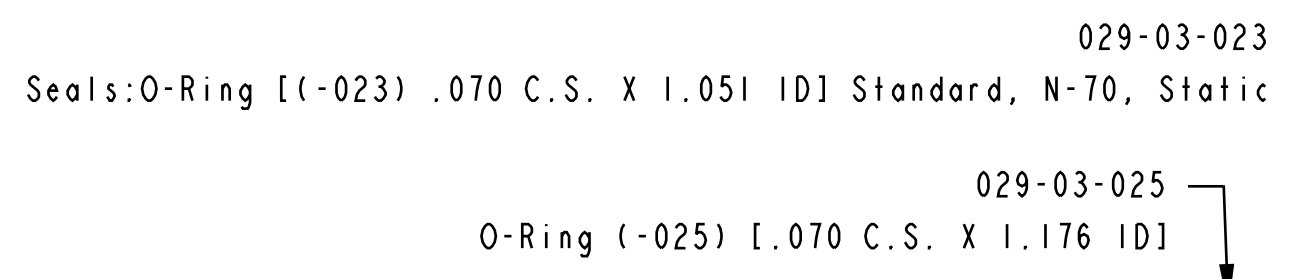
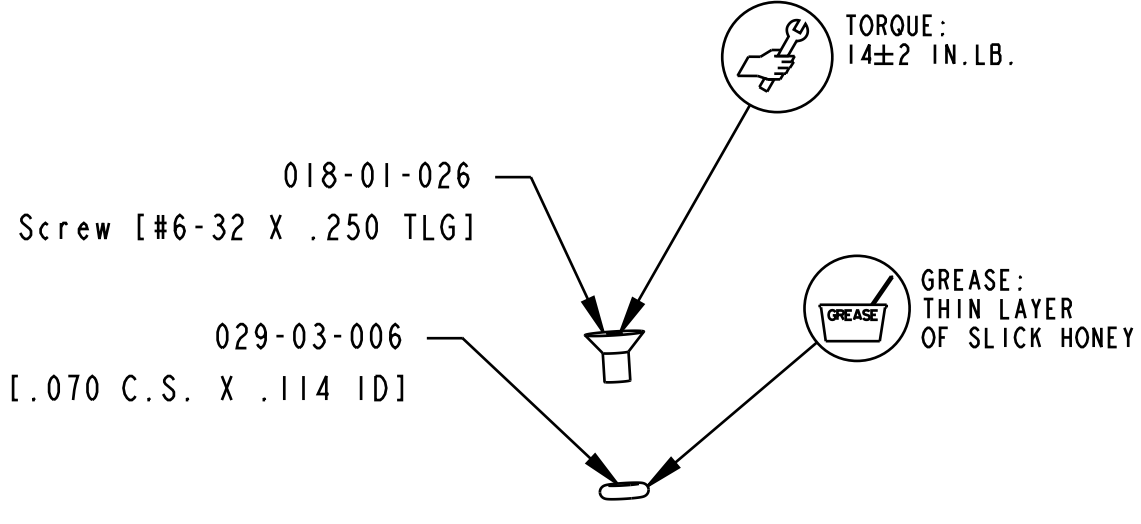
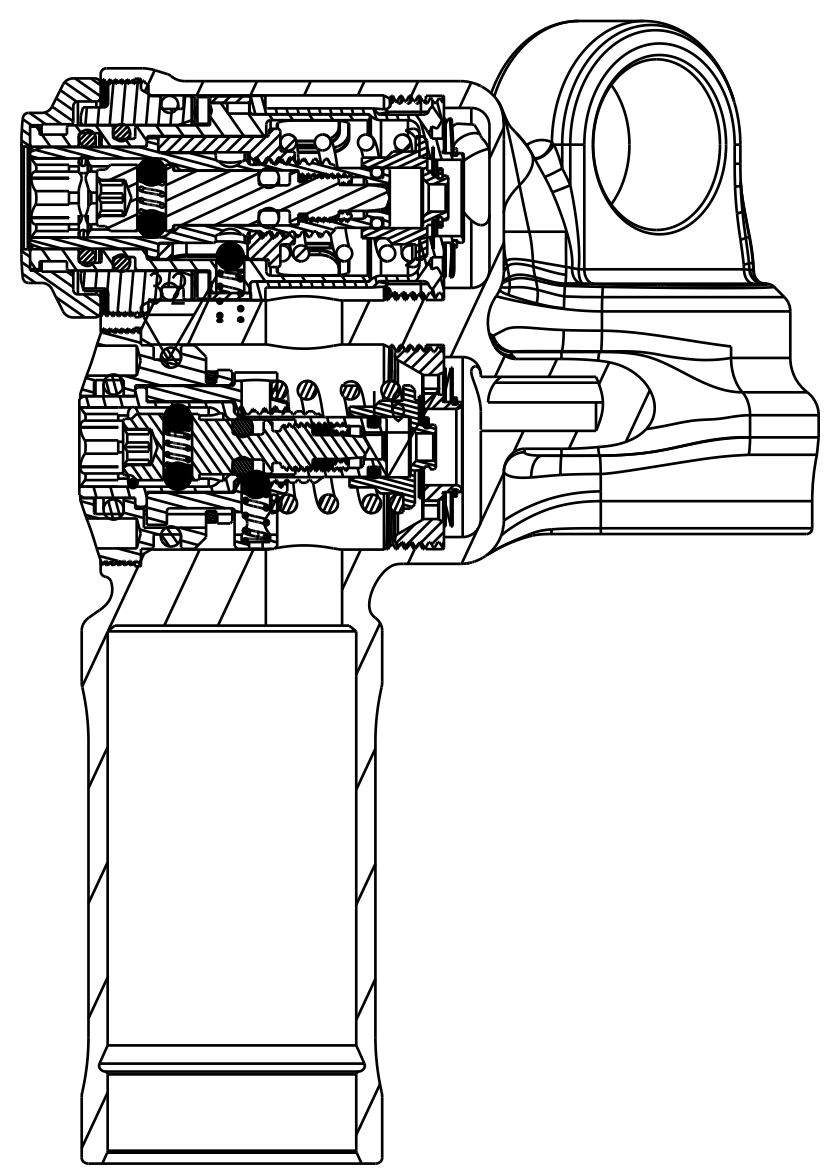


SECTION B-B
SCALE 1.500

IMPORTANT:
DO NOT INSTALL O-RING
IN STRAIN RELIEF.



SCALE 1.500



SECTION C-C
SCALE 1.500

PROPRIETARY -
THIS DOCUMENT CONTAINS CONFIDENTIAL, PROPRIETARY INFORMATION
THAT IS FOX PROPERTY. DO NOT DISCLOSE TO OR DUPLICATE
FOR OTHERS EXCEPT AS AUTHORIZED BY FOX.

	FOX Factory, Inc. 130 Hangar Way, Watsonville, CA 95076 USA Ph 831-768-1100 Fax 831-768-9312
	TITLE Eyelet Assy: 2018 DHX2, 2pos-Adj, F-S
SIZE DWG. NO. C 808-17-369-KIT	SHEET 1 OF 2
PLOT SCALE .00:1	ProE ASSEM