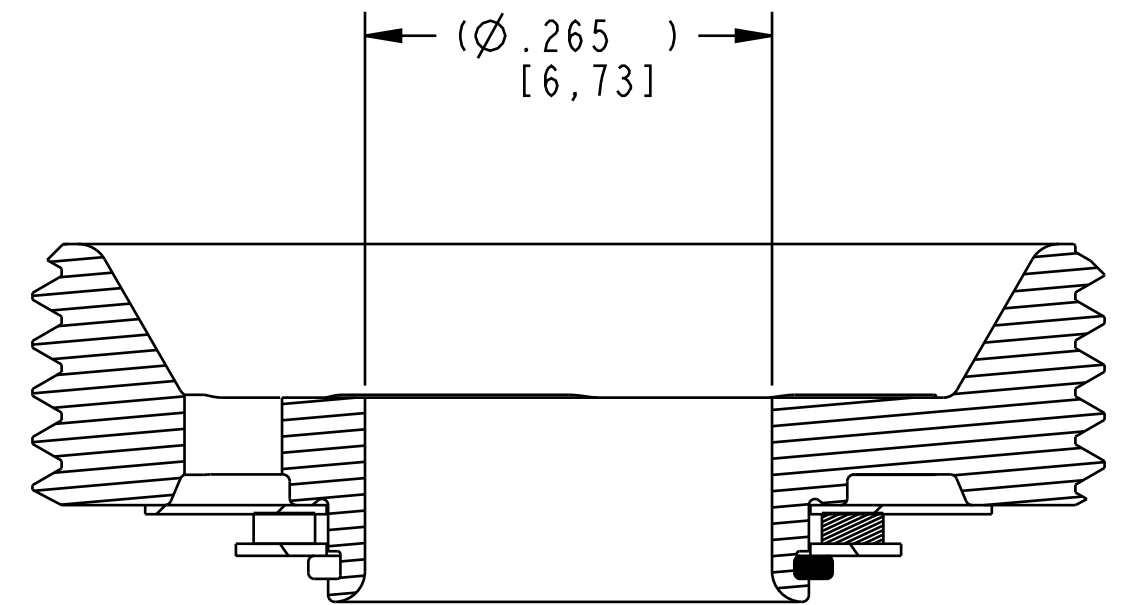
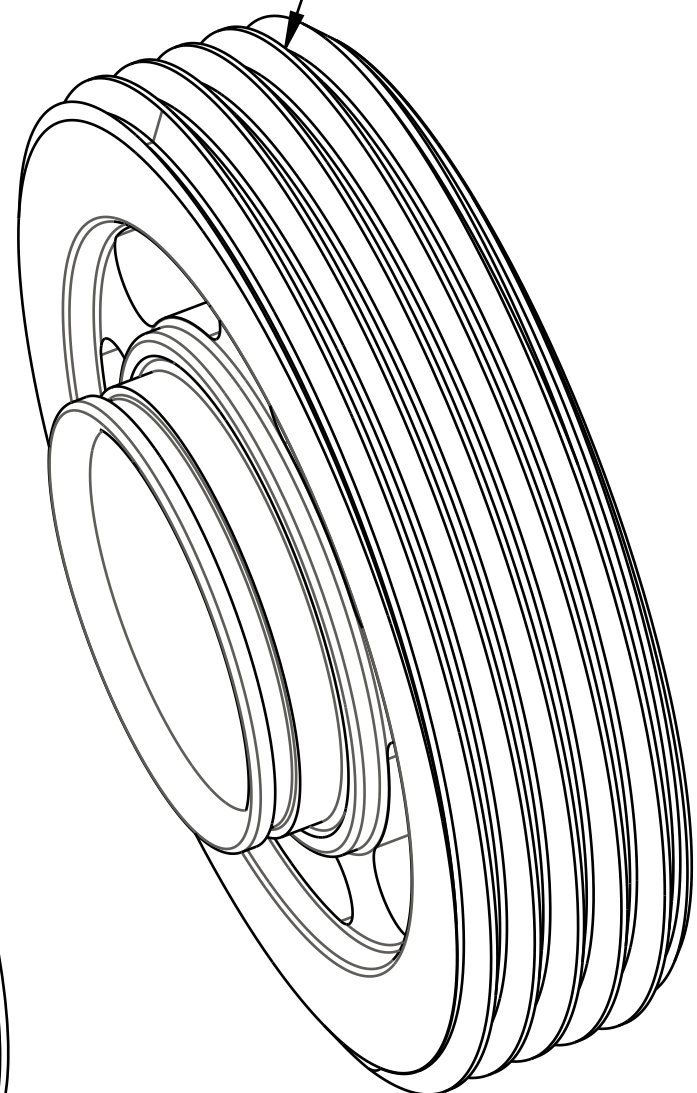
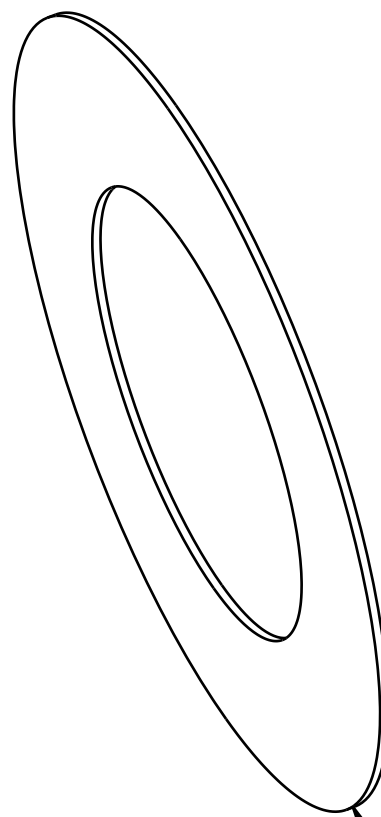
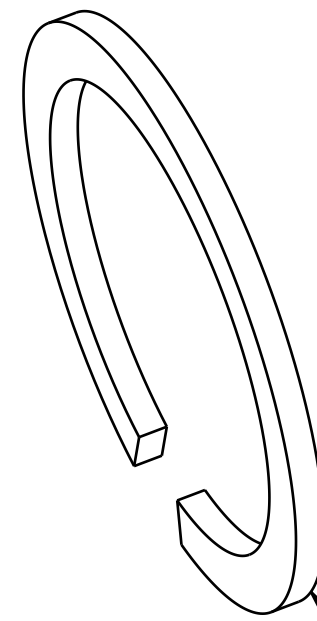
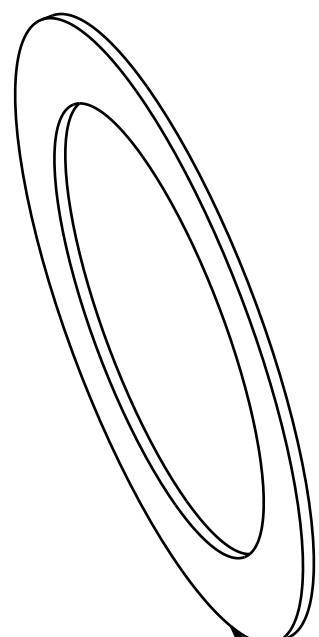
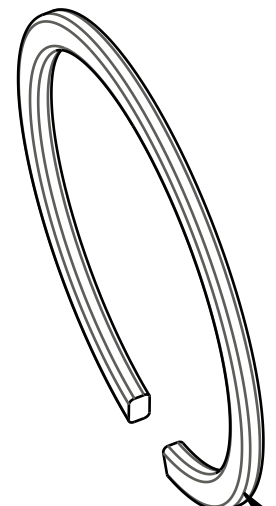


REFERENCE VIEW
SCALE 4:1

Housing: Base Valve, DHX2, FloatX2



SECTION A-A



038-00-127
Retaining Ring: Smalley VS31S16

045-20-811

039-00-391

045-15-814
Valve: Metric [14.0mm OD X 8.0mm ID X 0.15mm TH]

PROPRIETARY -
THIS DOCUMENT CONTAINS CONFIDENTIAL, PROPRIETARY INFORMATION
THAT IS FOX PROPERTY. DO NOT DISCLOSE TO OR DUPLICATE
FOR OTHERS EXCEPT AS AUTHORIZED BY FOX.

		FOX Factory, Inc.	Ph 831-768-1100
		130 Hangar Way, Watsonville, CA 95076 USA	Fax 831-768-9312
TITLE Valve Seat Assy: Compression, .265" Bore, X2			
SIZE C	DWG. NO. 815-02-070-KIT		
PLOT SCALE 8.00:1		SHEET 1 OF 1	